

UNOCCUPIED SPACE BELOW

**SECTION A-A**

SYSTEM 1:1 DIRECT ACTING  
(2-ST. / 3-ST)

(48x54 FRONT RH)

REACTIONS lb (N) ( DOUBLED FOR IMPACT )		
PIT (R) 7700 (34250)		
BUFFER (RB) -		
RAIL	F2	F3
	NORMAL	220 (980)
SEISMIC		
ELEVATOR #	1	
CLASSIFICATION	LULA	
CAPACITY lb (kg)	1400 (635)	
SPEED fpm (m/s)	30 (0.15)	
OPERATION	SELECTIVE COLLECTIVE	
POWER SUPPLY	208/230V 1 PHASE 60 Hz.	
FLOOR SERVED	-	
RAILS lb/ft (kg/m)	8 (12)	
CONTROLLER	MICROPROCESSOR	
PUMP UNIT	ULTIMA - 0	
MOTOR - HP (kW)	GMV - 3.5 (2.6)	
FULL LOAD CUR. (A)	27.5	
CONTROL VALVE	GMV 3010 EN	
FEED LINE in	1" DIA.	
WORKING psi	545	
RELIEF psi	690	
DOOR TYPE	2 SPEED AUTOMATIC	
DOOR SAFETY RETAIN.	YES	
INTERLOCK	-	
ENCLOSURE	STEEL	
DOOR OPERATOR	VICTORY-CSA	
DOOR REOPENING DEV.	LIGHT CURTAIN	
GUIDE SHOES/ROLLERS	TECHNOLIFT	
CAR FRAME TYPE	T-701	
JOISTS in	2 1/2 x 1 1/2 x 1/8 TUBE	
CROSSHEAD in	4 x 2 x 1/4	
SIDE POST in	8 3/8 x 4 x 1/8	
PLANK in	4 1/2 x 6 7/8 x 3/16	
JACK TYPE	MST 60-2	MST 60-3
1st PLG. OD., WALL in	2.362, 0.167	2.362, 0.167
2nd PL. OD., WALL in	2.953, 0.167	2.953, 0.167
3rd PL. OD., WALL in	-----	3.543, 0.167
CYL. OD., WALL in	3.582, 0.177	4.173, 0.177
COLP. JACK LG. in	112.4	112.4/124.2
PLUNGER lb. (kg)	88 (40)	140 (64)
CAR	530	
PUMP UNIT	220	
CONTROLLER	-	

- PROVISIONS BY OTHERS**  
UNLESS OTHERWISE SPECIFIED, ALL RULES FOLLOW THE ASME A17.1 SAFETY CODE FOR ELEVATORS AND ESCALATORS AND THE CAN/CSA-B44 BASED ON THE LATEST EDITIONS AND REVISIONS AT DATE OF DRAWING.
- MACHINE ROOM**
- MACHINE ROOM TEMPERATURE MUST BE MAINTAINED BETWEEN 41°F AND 90°F WITH ADEQUATE VENTILATION AND HEAT. SUITABLE ACCESS TO MOVE EQUIPMENT INTO MACHINE ROOM. MINIMUM CLEAR HEIGHT IS 7'-0".
  - TWO CUTOUTS IN WALL FOR OIL AND ELECTRICAL LINES.
- HOISTWAY**
- SUITABLE LEGAL 2 HOUR RATED HOISTWAY FREE OF PIPES AND OBSTRUCTIONS DESIGNED AND BUILT TO HANDLE LOADS IMPOSED AS SPECIFIED.
  - FIXED PIT WATER PROOFING OR SUMP PUMP AS REQUIRED. PIT FLOOR DESIGNED FOR REACTION SHOWN. PIT LADDER REQUIRED FOR PIT DEEPER THAN 3'-0" FIXED PIT LADDER EXTENDING A MINIMUM OF 4'-0" ABOVE THE SILL OF THE ACCESS DOOR, LOCATED IN PLAN VIEW.
  - HOISTWAY SIZE GUARANTEED PLUMB +1/2 -0".
  - ENTRANCE WALLS OF HOISTWAY NOT TO BE BUILT UNTIL DOOR FRAMES ARE SET. PROVIDE GROUTING BETWEEN FINISHED FLOOR AND SILL, ALL PATCHING, CAULKING, AND TOUCH UP WORKS.
  - ENTRANCE FRAMES ARE NOT DESIGNED TO SUPPORT OVERHEAD WALL LOADS. SUITABLE SUPPORTS FOR THESE LOADS MUST BE PROVIDED.
  - CLEAR ACCESS FOR MOVING JACK UNIT INTO THE HOISTWAY
  - SIGNAGE TO BE PROVIDED.
  - PROVIDE OVERHEAD BEAM FOR LIFTING ELEVATOR COMPONENTS WITH MINIMUM LOAD CAPACITY OF 1000 lb.
- ELECTRICAL**
- FEEDERS FOR MOTOR TO CONTROLLER THROUGH LOCKABLE DISCONNECT SWITCH WITH AUXILIARY CONTACT, 3 WIRES GROUND AND 2 FUSES 240 VAC. 30 A., LOCATED WHERE IT IS VISIBLE ON ENTRY TO THE MACHINERY AREA AND READILY ACCESSIBLE TO THE AUTHORIZED PERSONS. (LOCK-JAMB SIDE OF ACCESS DOOR.)
  - PERMANENT LIGHT FIXTURES AND SWITCHES TO BE SUITABLY LOCATED IN EACH PIT AND MACHINE ROOM. LIGHT SWITCHES TO BE LOCATED ON JAMB SIDE OF PIT AND MACHINE ROOM ACCESS. LIGHTING IN MACHINE ROOM OF NOT LESS THAN 10FT. AT FLOOR LEVEL. LIGHTING IN PIT OF NOT LESS THAN 10FT. AT PIT FLOOR LEVEL.
  - SEPARATE 120 VOLTS, 15A LIGHTING BRANCH CIRCUIT TO CONTROLLER WITH FUSED DISCONNECT SWITCH IN MACHINE ROOM LIGHTNING, LOCATED NEAR LOCK-JAMB SIDE OF ACCESS DOOR.
  - PHONE LINE AND STANDARD PHONE JACK INSIDE MACHINE ROOM CLOSE TO STARTER BOX.

REVISIONS (JOB SPECIFIC)			
No.	DATE	BY	DESCRIPTION
-	-	-	-

EST. No. \_\_\_\_\_

JOB No. \_\_\_\_\_

SCALE 1/2"=1'-0"

DRN BY: \_\_\_\_\_

DATE: \_\_\_\_\_

CHK'D BY: \_\_\_\_\_

DATE: \_\_\_\_\_

PROJECT \_\_\_\_\_

LOCATION \_\_\_\_\_

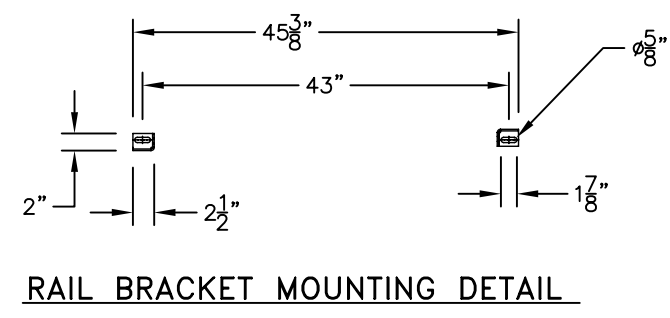
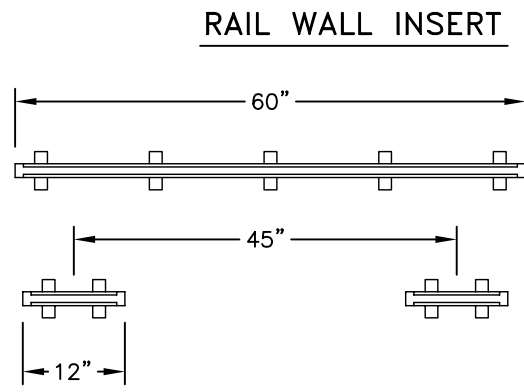
OWNER \_\_\_\_\_

GEN. CONT. \_\_\_\_\_

ARCHITECT \_\_\_\_\_

REF. No. **126905**

SHEET 1 of 2



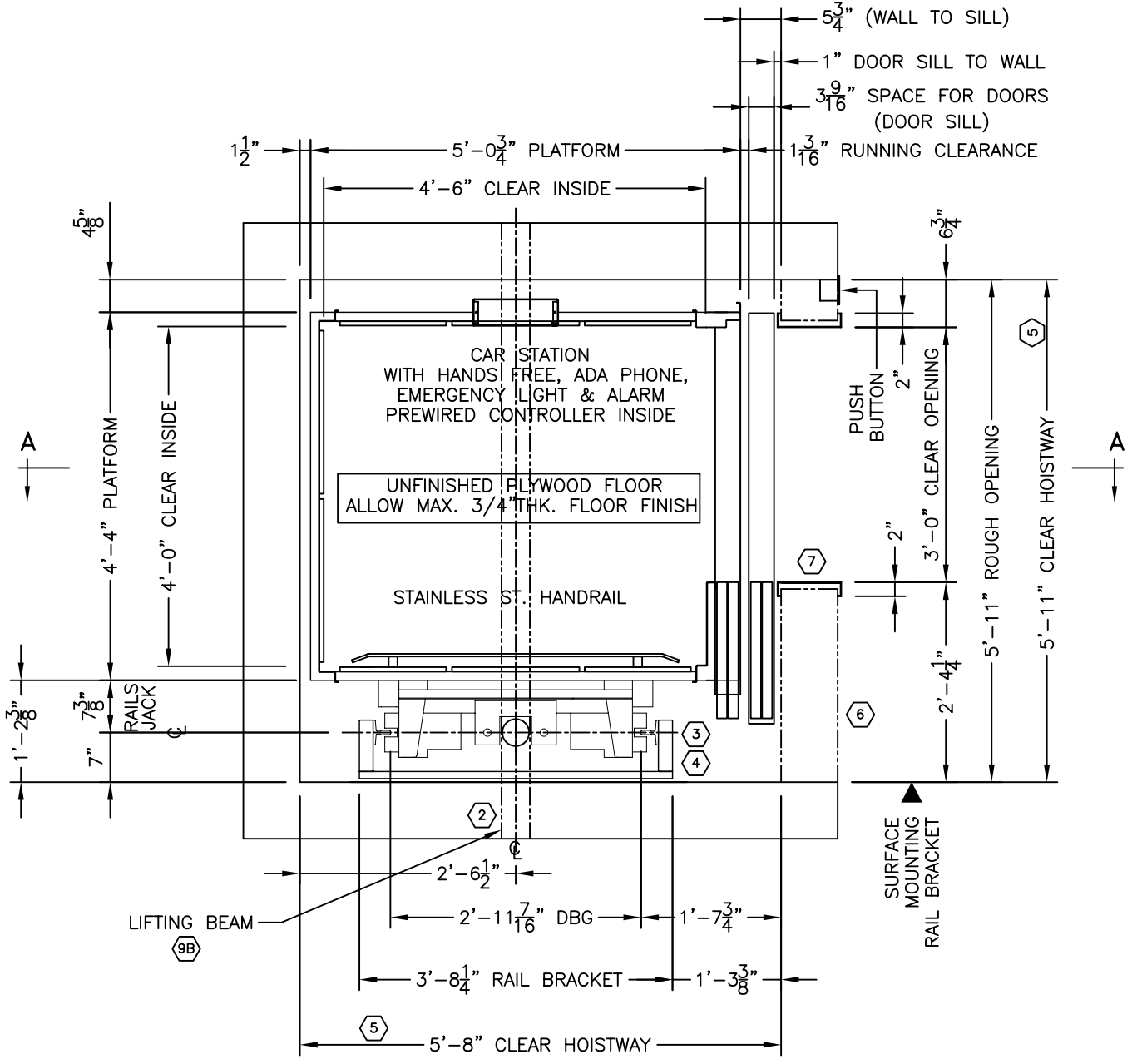
Note: When using rail wall insert, use 60" lg.  
or 2 (12" lg.) at 45" centers.

	COMPONENT	OPTION
INTERM. - LANDING 2	ENTRANCE SIDE	RH
	ENTRANCE FINISH	PAINTED / STAINLESS STEEL
	HALL STATION TYPE	BUTTON / KEYED & BUTTON
	FIRE SERVICE	YES/NO
	FLOOR MARKING	-
TOP LANDING	ENTRANCE SIDE	RH
	ENTRANCE FINISH	PAINTED / STAINLESS STEEL
	HALL STATION TYPE	BUTTON / KEYED & BUTTON
	FIRE SERVICE	YES/NO
	HOISTWAY ACCESS	YES/NO
FIRE SERV. ALTERNATE FLOOR		-
MACHINE ROOM CONFIG.		1 / 2 / 3

	COMPONENT	OPTION
GENERAL	CAB CONFIGURATION	FRONT RIGHT HAND
	NUMBER OF LANDINGS	-
	ENTRANCE WALL CONSTR.	DRYWALL / BLOCK - CONCRETE
	BUFFER TYPE	SOLID BUMPER/SPRING BUFFER
	RAIL BRACKET MOUNTING	WOOD ANCHOR/CONC. ANCHOR/TROUGH BOLT/WALL INSERT
	SEISMIC REQUIREMENT	YES/NO
	DOOR OPERATOR NUDGING	YES/NO
	CERTIFICATE FRAME	YES/NO
	SHUT OFF VALVE KIT QTY	0 / 1 / 2
	C.O.P FINISH	STAINLESS ST
CAB DETAILS	CAB LIGHT	3 FLUORESCENT LIGHTS
	CAB/LANDING SILLS	CLEAR ANODIZED
	CEILING PANELS	ALUMINUM EGG CRATE
	HANDRAIL	STAINLESS STEEL
CAB INFORMATION	CAB SIZE	48" x 54"
	WALL PANEL TYPE	LAMINATED
	FORMICA FINISH No.	-
	FINISH DESCRIPTION	-
CAB INFORMATION	DOOR PANELS FINISH	PAINTED / STAINLESS STEEL
BOTTOM LANDING	ENTRANCE SIDE	RH
	ENTRANCE FINISH	PAINTED / STAINLESS STEEL
	HALL STATION TYPE	BUTTON / KEYED & BUTTON
	FIRE SERVICE	YES/NO
BOTTOM LANDING	FLOOR MARKING	-
	HALL STATION FINISH	STAINLESS STEEL
INTERM. - LANDING 1	ENTRANCE SIDE	RH
	ENTRANCE FINISH	PAINTED / STAINLESS STEEL
	HALL STATION TYPE	BUTTON / KEYED & BUTTON
	FIRE SERVICE	YES/NO
INTERM. - LANDING 1	FLOOR MARKING	-
	HALL STATION FINISH	STAINLESS STEEL

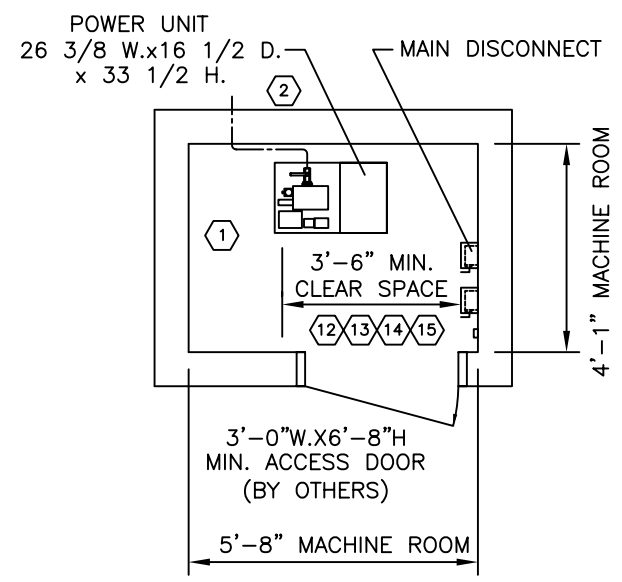
**EXTRA COMPONENTS**  
(REMOTE MACHINE ROOM ONLY)

TROUGH		PIPE	
DESCRIPTION	QTY.	DESCRIPTION	QTY.
TROUGH 1ft. LG.	-	PIPE 7ft. LG.	-
TROUGH 2ft. LG.	-	90° VIC. ELBOW	-
TROUGH 3ft. LG.	-	VIC. COUPLING	-
TROUGH 4ft. LG.	-	PIPE CLAMP	-
TROUGH 5ft. LG.	-	THRU. WALL CLAMP	-
WALL ADAPTER	-	<b>M/R HARNESS</b>	
ELBOW M/R	-		
ELBOW 1	-		
ELBOW 2	-		
PANEL ADAPTER	-		
TELESCOPE	-	DESCRIPTION	Length (ft.)
		EXTENSION	-



**PLAN OF HOISTWAY**  
SYSTEM 1:1 DIRECT ACTING  
(48x54 FRONT RH)

MACHINE ROOM SIZE MAY VARY  
AS LONG AS MINIMUM  
CLEARANCES ARE MAINTAINED



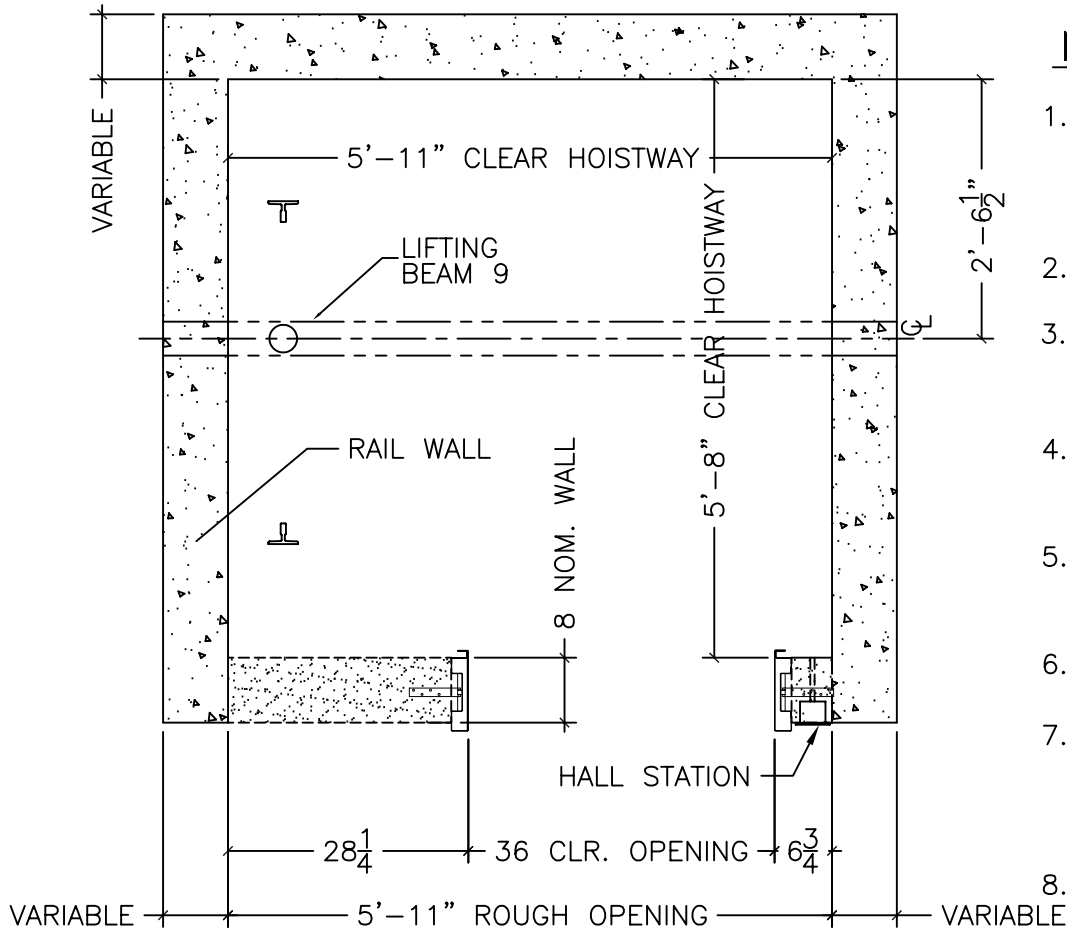
**PLAN OF MACHINE ROOM**

REVISIONS (JOB SPECIFIC)			
No.	DATE	BY	DESCRIPTION
-	-	-	-



EST. No. \_\_\_\_\_  
 JOB No. \_\_\_\_\_  
 SCALE 1/2"=1'-0"  
 DRN BY: \_\_\_\_\_  
 DATE: \_\_\_\_\_  
 LOCATION \_\_\_\_\_  
 OWNER \_\_\_\_\_  
 GEN. CONT. \_\_\_\_\_  
 ARCHITECT \_\_\_\_\_  
 DATE: \_\_\_\_\_  
 CHK'D BY: \_\_\_\_\_  
 REF. No. **126905**  
 SHEET 2 of 2

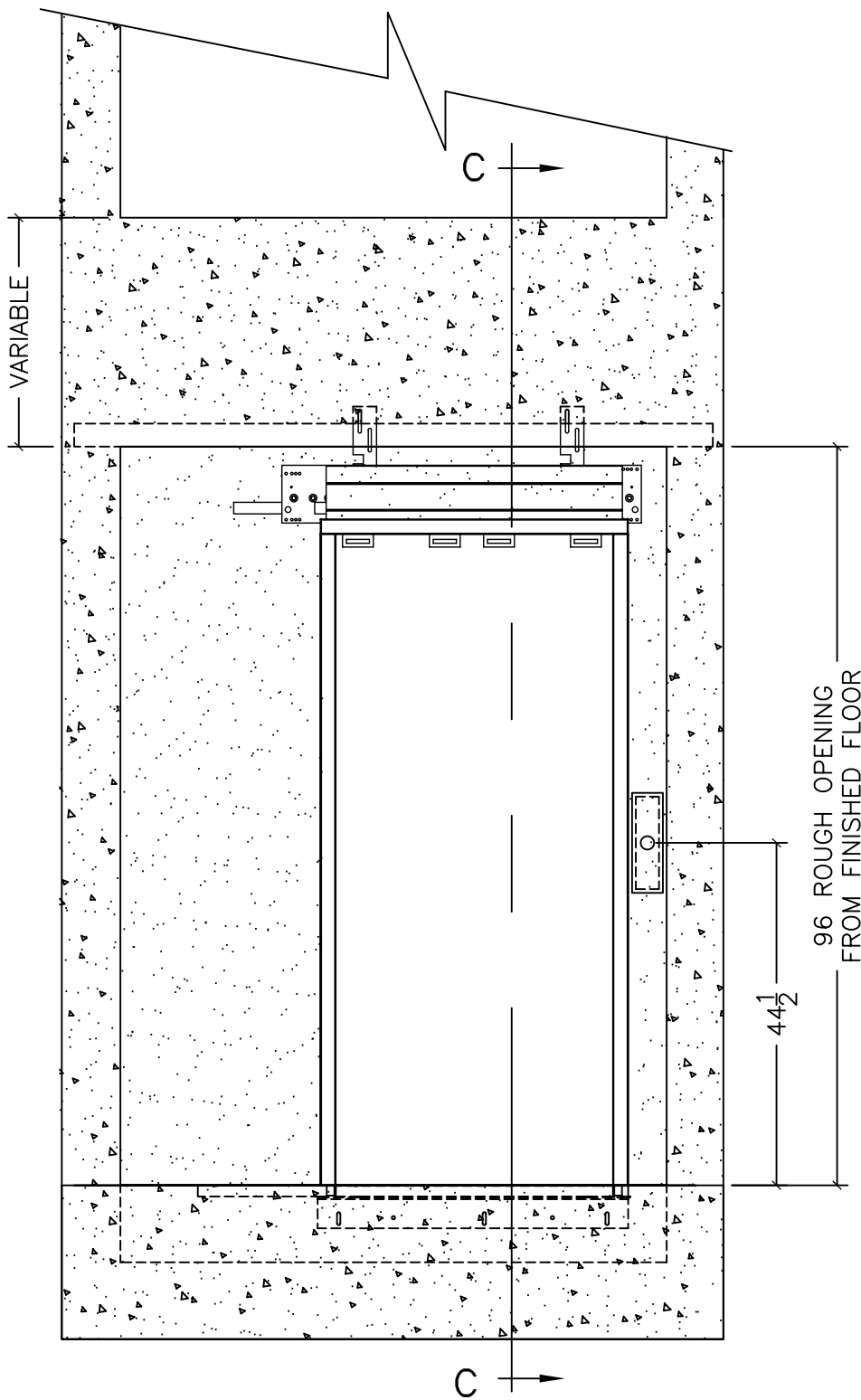
SEE SECTION A-A  
(PAGE 2/5)



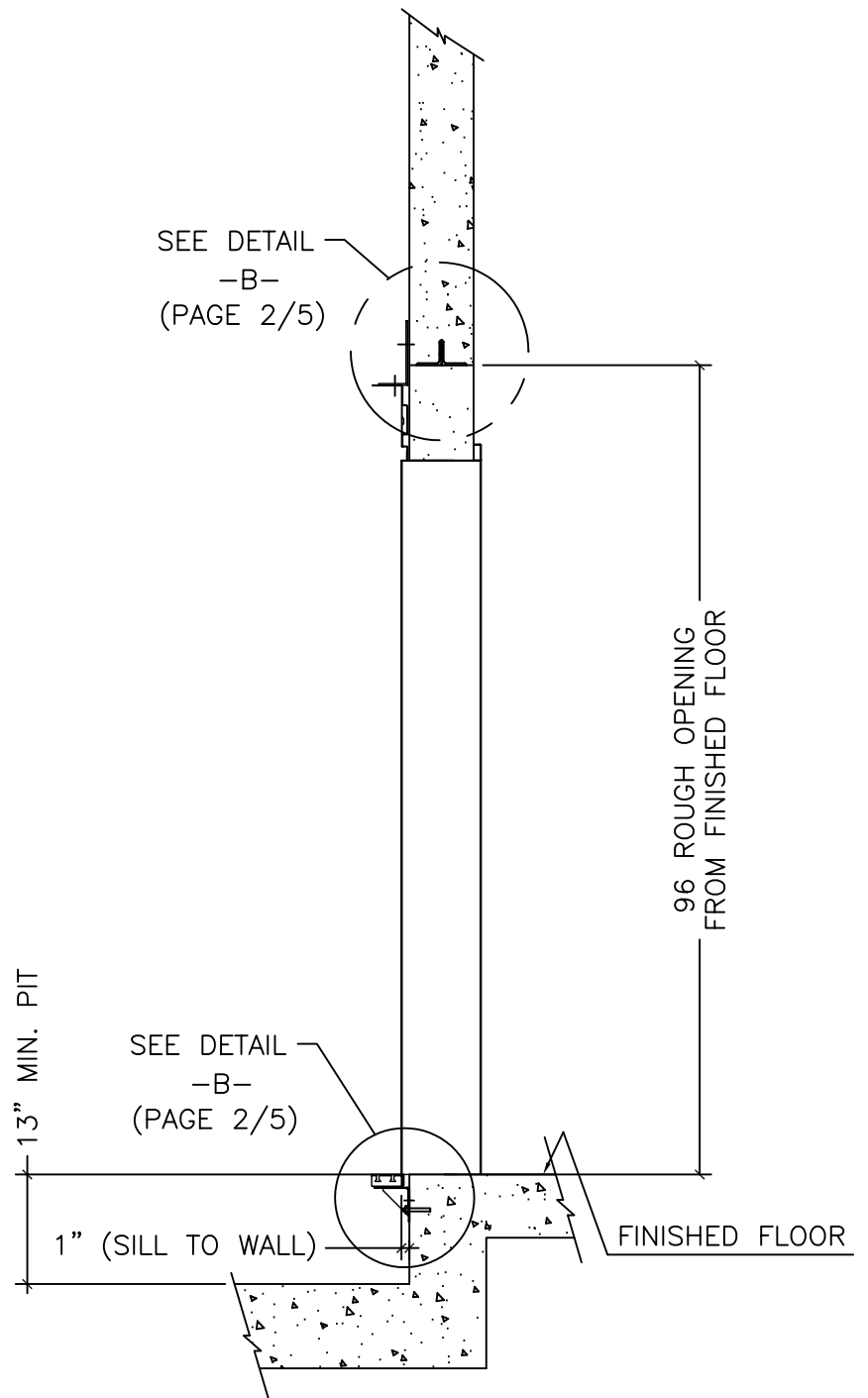
**NOTES:**

1. TOLERANCES:  
- PLUMBNESS OF EACH WALL TO BE 1/2" WITHIN 40 FT.  
- CLEAR HOISTWAY DIMENSIONS TO BE +1/2", -0".
2. HOISTWAY CAN BE BLOCK OR CONCRETE.
3. RAIL WALL TO BE DESIGNED AND BUILT TO HANDLE LOADS SPECIFIED IN THE LAYOUT.
4. WALL THICKNESS TO MEET LOCAL CODE REQUIREMENTS FOR 1-1/2 HR. FIRE RATING. (7-5/8" STANDARD)
5. HOISTWAY MUST BE FREE OF PIPES AND OBSTRUCTIONS.
6. PIT WATER PROOFING OR SUMP PUMP AS REQUIRED.
7. ENTRANCE WALLS NOT TO BE BUILT UNTIL ENTRANCE FRAMES ARE SET. PROVIDE GROUTING BETWEEN FINISHED FRAMES AND SILL, INCLUDING PATCHING, CAULKING, AND TOUCH UP WORK.
8. ENTRANCE FRAMES ARE NOT DESIGNED TO SUPPORT OVERHEAD WALL LOADS.
9. PROVIDE OVERHEAD BEAM FOR LIFTING ELEVATOR COMPONENTS WITH MINIMUM LOAD CAPACITY OF 1000 lb..

**PLAN OF HOISTWAY**



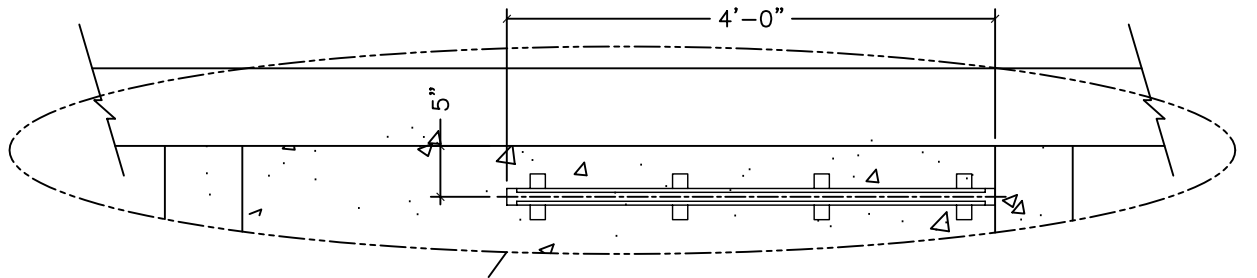
**FRONT ELEVATION**



**SECTION C-C**

(48x54 R.H. LULA-MASONRY HOISTWAY)

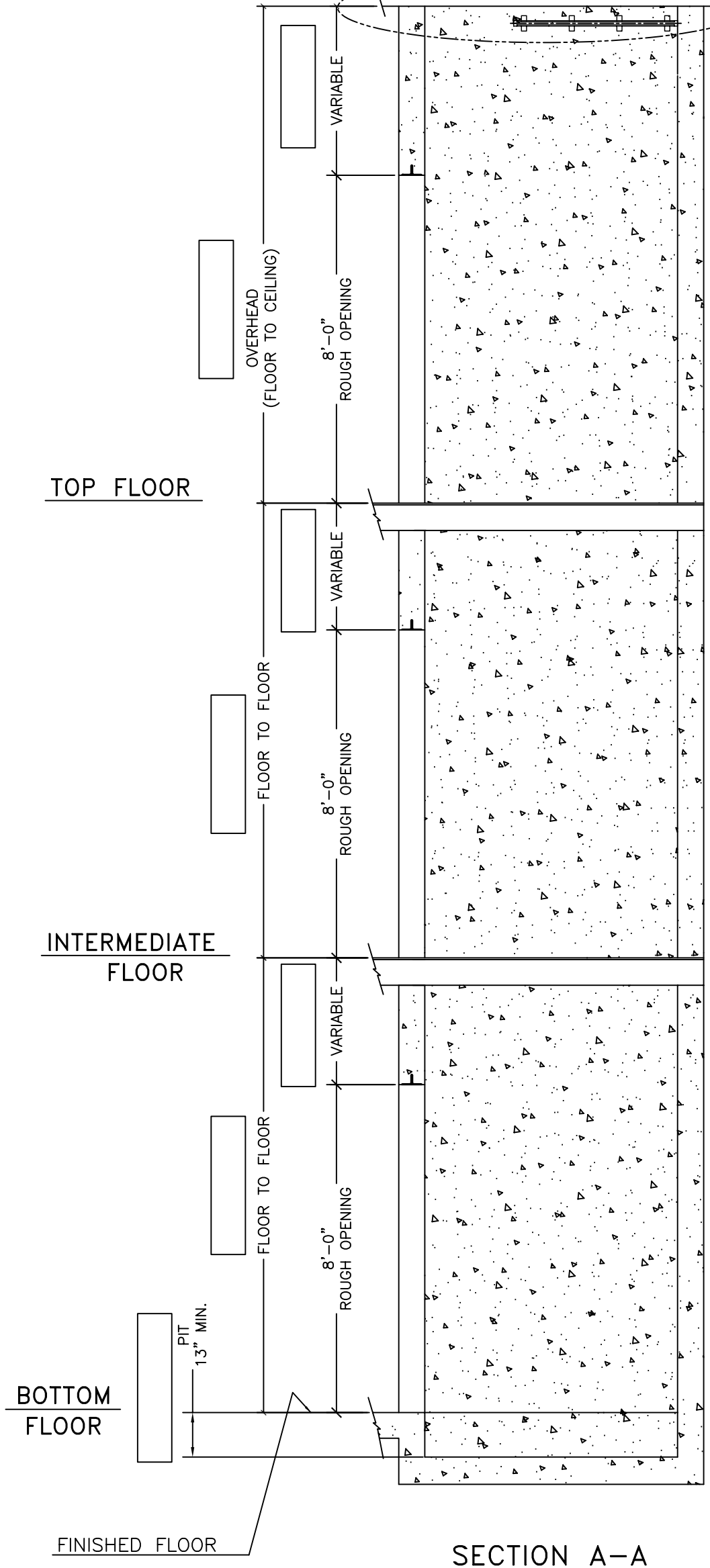
<b>VERTECHS INDUSTRIES INC.</b>	UNLESS OTHERWISE SPECIFIED TOLERANCES ON: .XX= ± .XXX= ± ANGLES ±	ALL DIMENSIONS ARE IN INCHES		DO NOT SCALE THIS DRAWING
	TITLE: LULA ELEVATOR SHAFT PLAN AND ELEVATION	MATERIAL: N/A	DRAWN BY: L. BARRIOS	DATE: APL. 25, 05
	FINISH: N/A	CHECKED BY:	DATE:	PART# 126914
		PAGE: 1 OF 5	DRAWING No.: 126914	SIZE: <b>B</b>



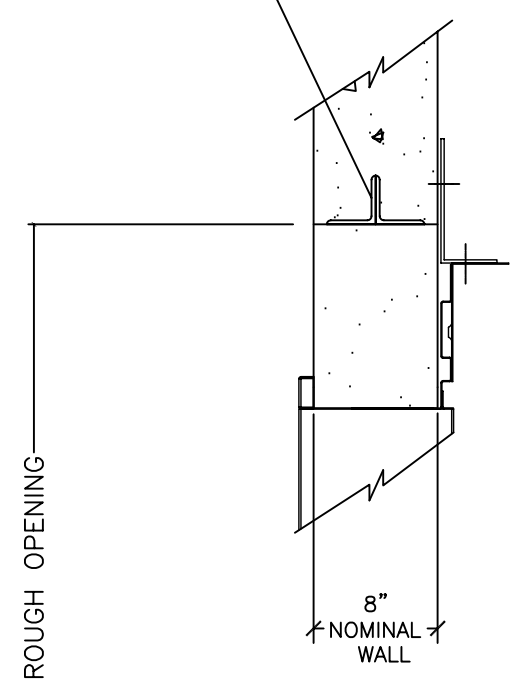
SEE NOTE #4

**NOTES:**

1. FLOOR HEIGHTS VARY  
CONTRACTOR TO FILL IN DIMENSIONS ACCORDINGLY.  
REFER TO SPECIFIC JOB LAYOUT.
2. ELEVATION SHOWS 3 FLOORS. FOR JOBS WITH ONLY  
2 FLOORS, CROSS OUT INTERMEDIATE FLOOR.
3. ALL ROUGH OPENINGS FROM FINISHED FLOOR.
4. WALL INSERT SAME AS RAIL BRACKET WALL INSERTS.

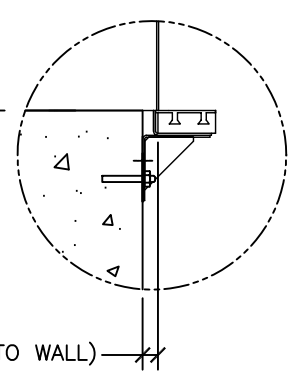


LINTEL SUPPORT FOR HEADER



96" ROUGH OPENING

FINISHED FLOOR



DETAIL -B-

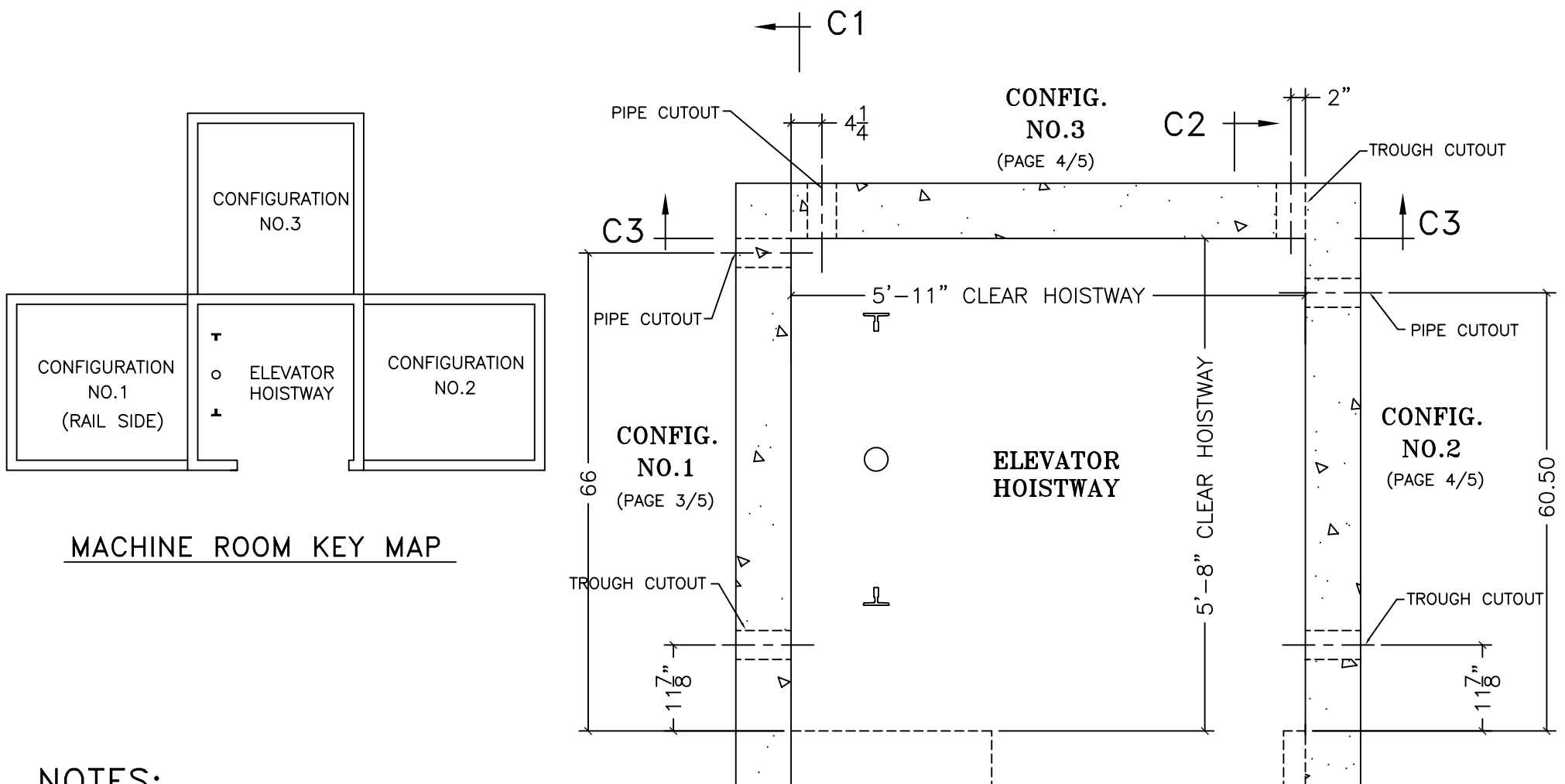
(FROM PAGE 1/5)

**SECTION A-A**

(FROM PAGE 1/7)

(48 x 54 R.H. LULA-MASONRY HOISTWAY)

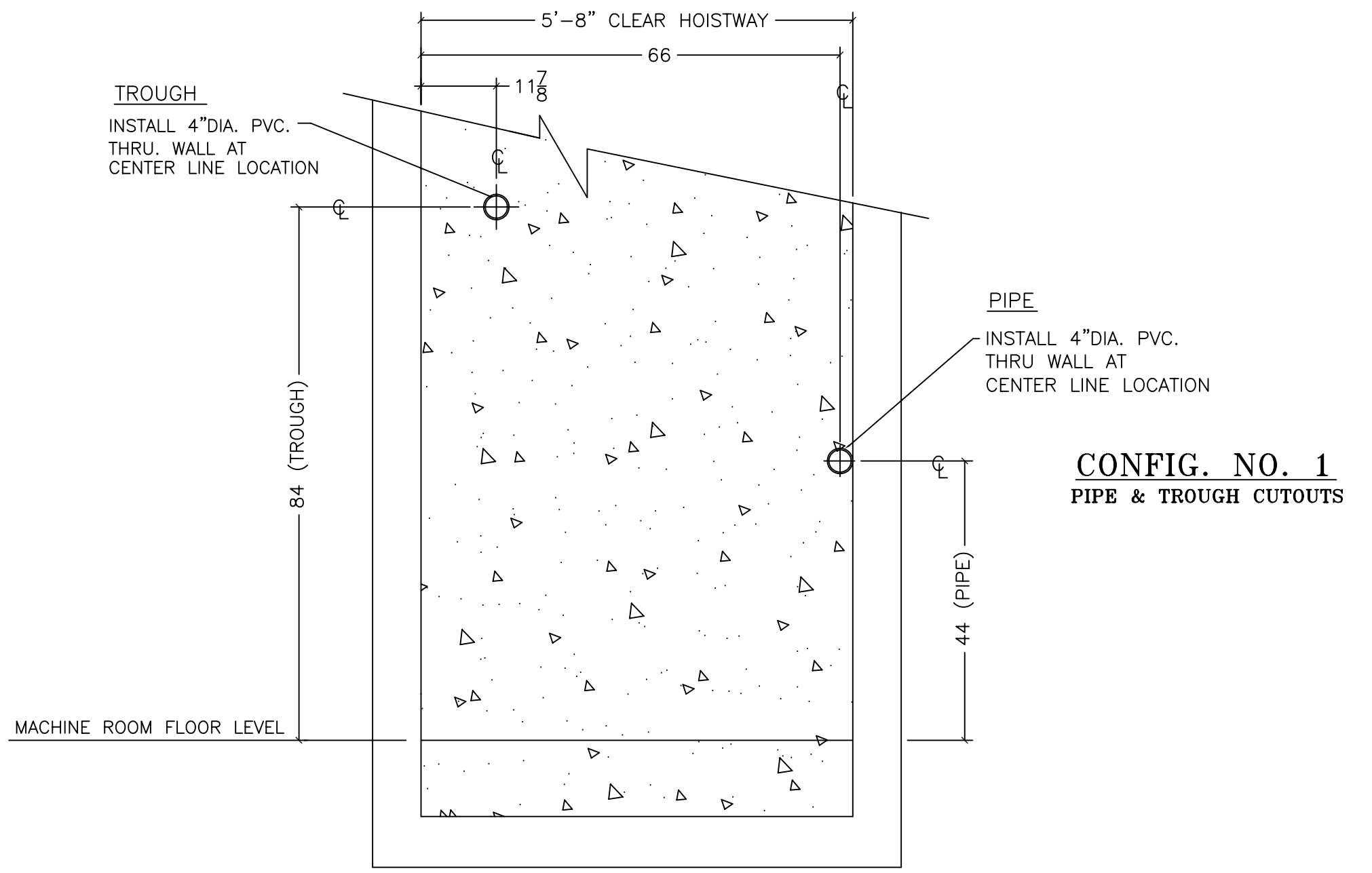
<b>VERTECHS INDUSTRIES INC.</b>	UNLESS OTHERWISE SPECIFIED TOLERANCES ON: .XX= ± .XXX= ± ANGLES ±	ALL DIMENSIONS ARE IN INCHES		DO NOT SCALE THIS DRAWING
	TITLE: ELEVATOR SHAFT ELEVATION AND DETAILS	MATERIAL: N/A	DRAWN BY: L. BARRIOS	DATE: APL. 19, 05
	FINISH: N/A	CHECKED BY:	DATE:	PART# 126914
		PAGE: 2 OF 5	DRAWING No.: 126914	SIZE: <b>B</b>



**NOTES:**

1. ONLY ONE WALL OF ELEVATOR HOISTWAY REQUIRES PIPING AND TROUGHING CUTOUTS, CONTRACTOR TO SELECT LOCATION BASED ON MACHINE ROOM CONFIGURATION. (SEE KEY MAP)

**ELEVATOR SHAFT PLAN VIEW  
PIPE & TROUGH CUTOUTS**

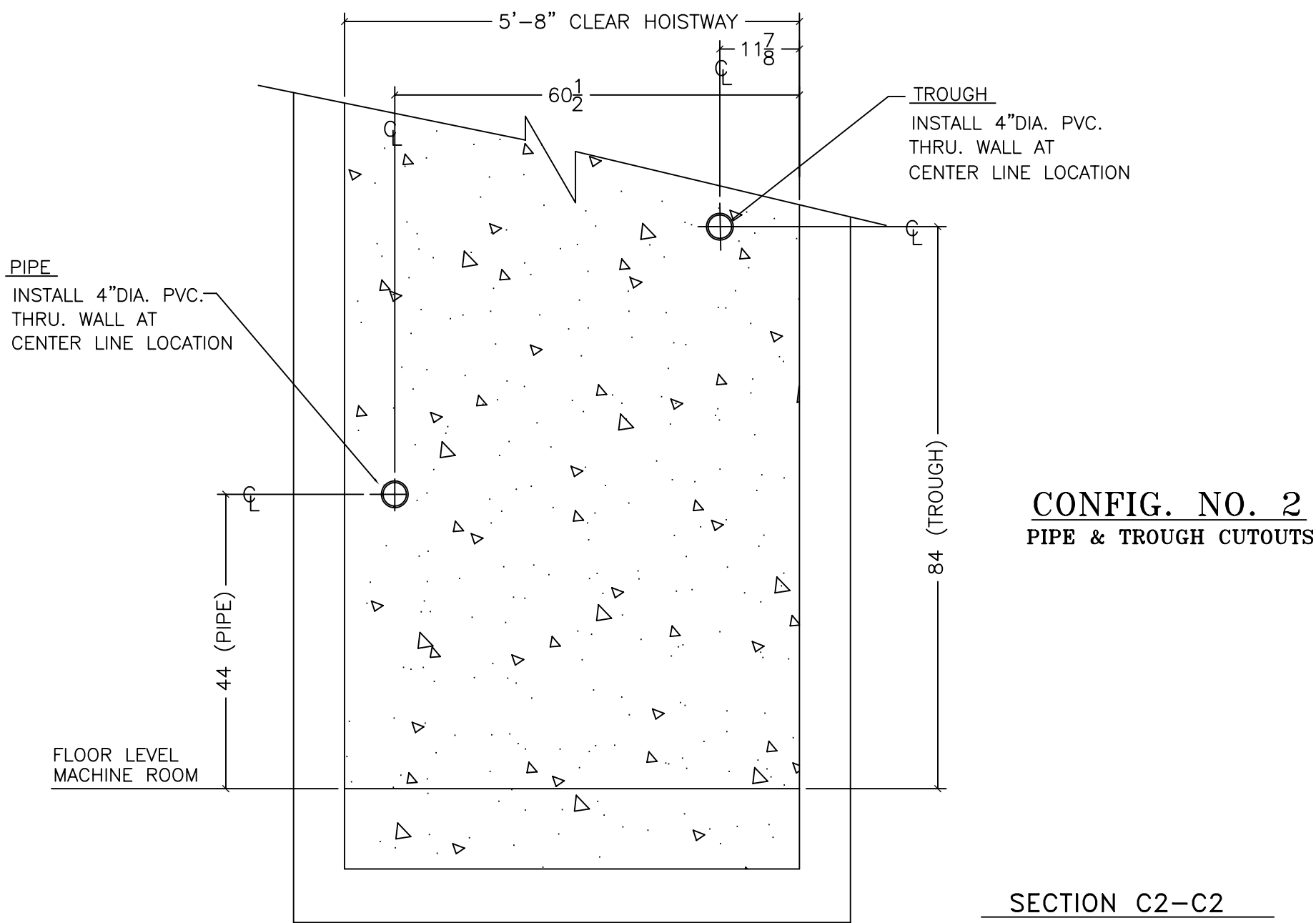


**CONFIG. NO. 1  
PIPE & TROUGH CUTOUTS**

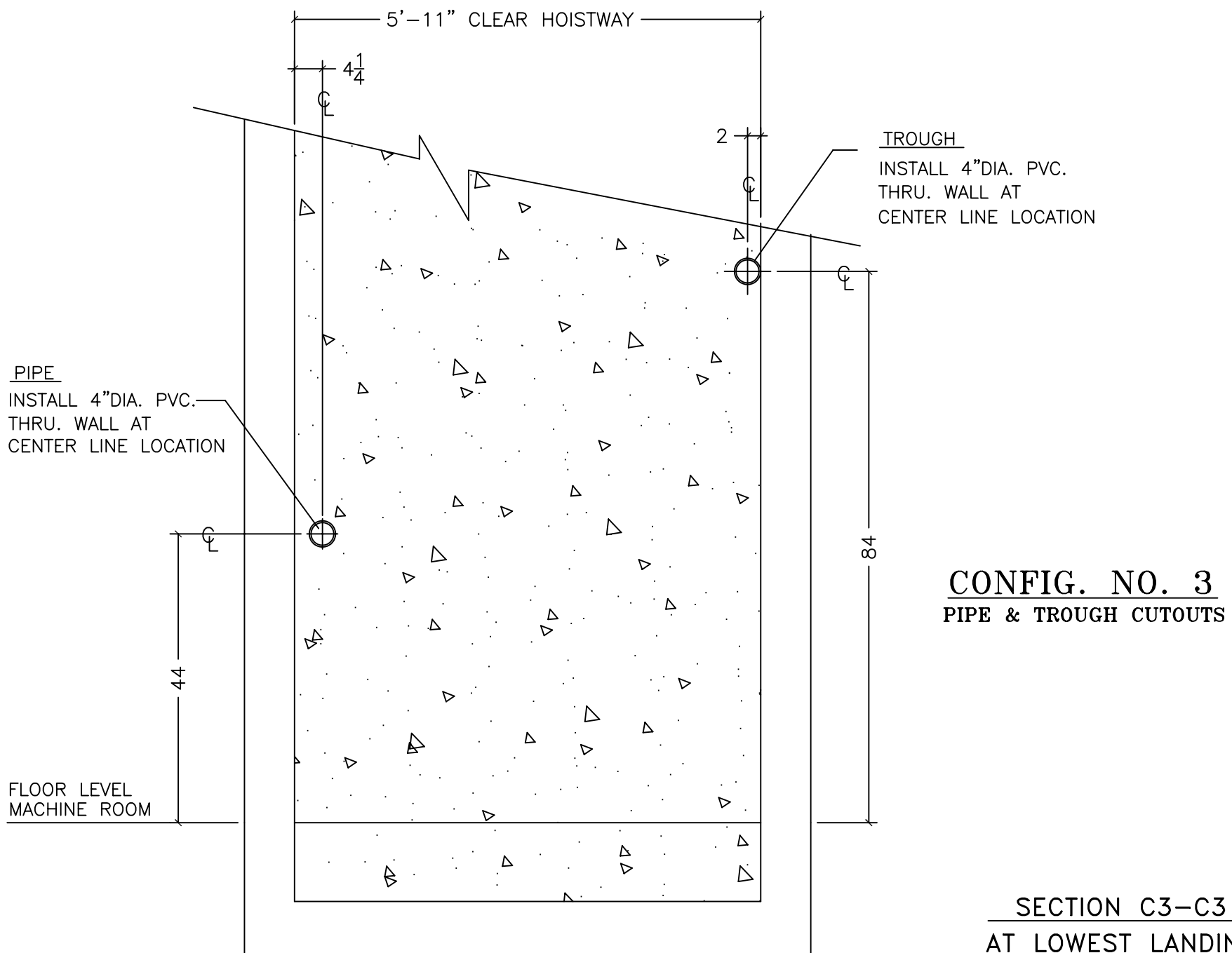
**SECTION C1-C1  
AT LOWEST LANDING**

(48x54 RH LULA-MASONRY HOISTWAY)

<b>VERTECHS INDUSTRIES INC.</b>	UNLESS OTHERWISE SPECIFIED TOLERANCES ON: .XX= ± .XXX= ± ANGLES ±	ALL DIMENSIONS ARE IN INCHES		DO NOT SCALE THIS DRAWING
	TITLE: ELEVATOR SHAFT PIPE & TROUGH CUTOUTS	MATERIAL: N/A	DRAWN BY: L. BARRIOS	DATE: Apl. 25, 05
	FINISH: N/A	CHECKED BY:	DATE:	PART# 126914
		PAGE: 3 OF 5	DRAWING No.: 126914	SIZE: <b>B</b>



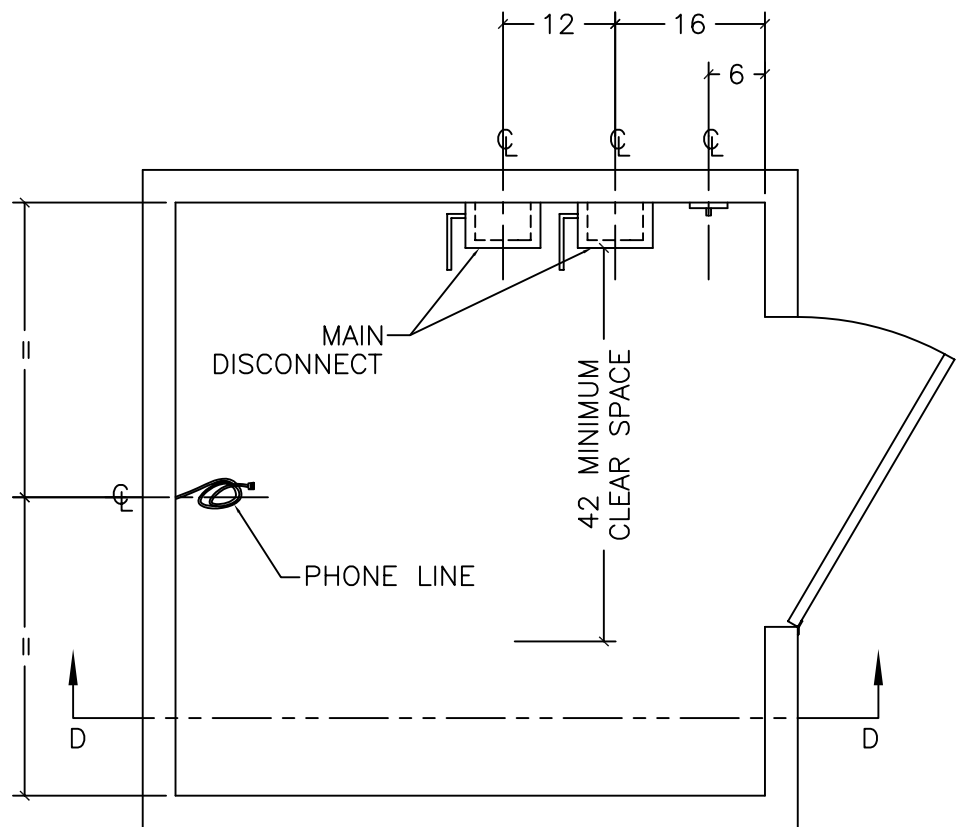
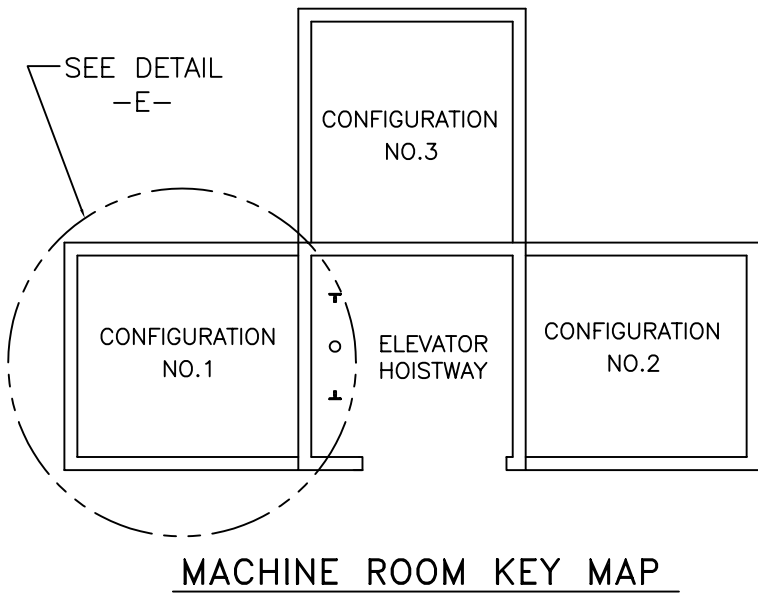
**SECTION C2-C2**  
**AT LOWEST LANDING**  
(FROM PAGE 3/5)



**SECTION C3-C3**  
**AT LOWEST LANDING**  
(FROM PAGE 3/5)

(48x54 RH LULA-MASONRY HOISTWAY)

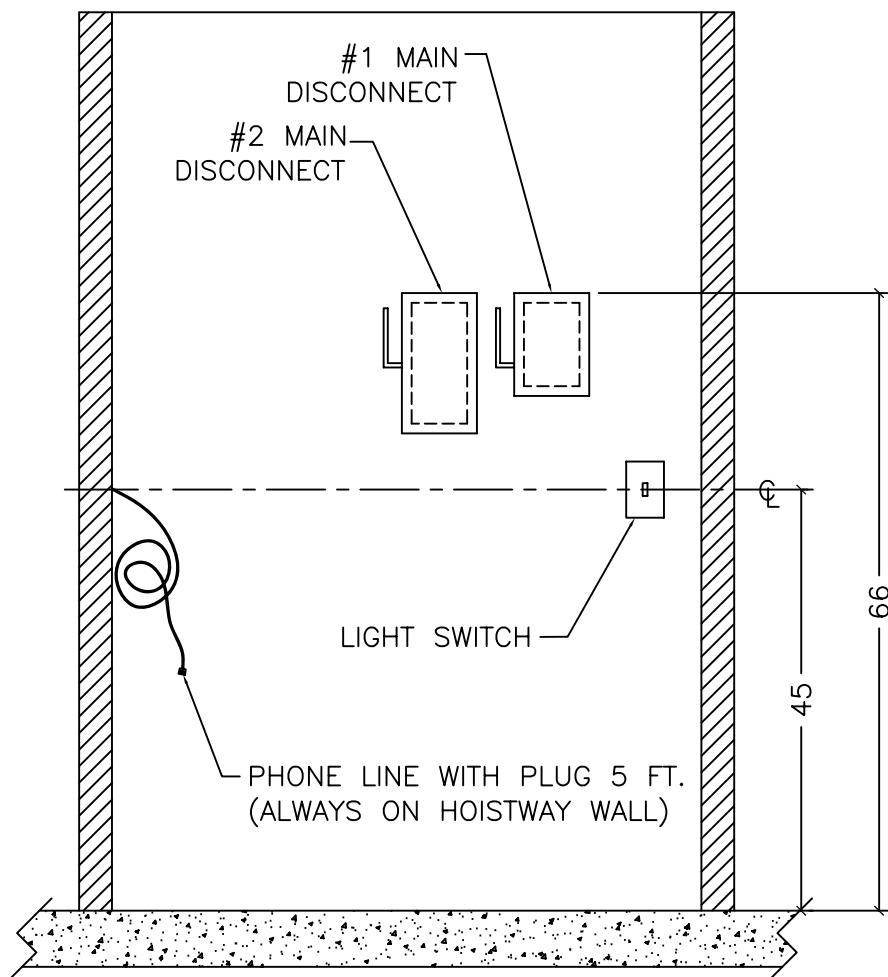
<b>VERTECHS INDUSTRIES INC.</b>	UNLESS OTHERWISE SPECIFIED TOLERANCES ON: .XX= ± .XXX= ± ANGLES ±	ALL DIMENSIONS ARE IN INCHES		DO NOT SCALE THIS DRAWING
		DRAWN BY: L. BARRIOS	DATE: Apl. 22, 05	SCALE: N/A
TITLE: ELEVATOR SHAFT PIPE & TROUGH CUTOUTS	MATERIAL: N/A	CHECKED BY:	DATE:	PART# 126914
	FINISH: N/A	PAGE: 4 OF 5	DRAWING No.: 126914	SIZE: <b>B</b>



**NOTES:**

1. INFORMATION IS TYPICAL FOR ALL M/R CONFIGURATIONS.
2. POSITION OF DOOR OPENING MAY VARY FROM THAT SHOWN.
3. MAIN DISCONNECTS & LIGHT SWITCH TO BE MOUNTED ON WALL ADJACENT TO M/R DOOR OPENING, NOT ON HOISTWAY WALL.
4. #1 MAIN DISCONNECT  
-120 VOLT, 15 AMP. (FUSED)
5. #2 MAIN DISCONNECT  
-FOR 3.5HP. MOTOR, 1 PHASE WITH AUX. CONTACT, 230V. 40 AMP. (FUSED).
6. MACHINE ROOM TEMP. TO BE MAINTAINED BETWEEN 41°F - 90°F

DETAIL -E-  
**MACHINE ROOM PLAN VIEW**  
 TYPICAL FOR ALL CONFIGURATIONS.

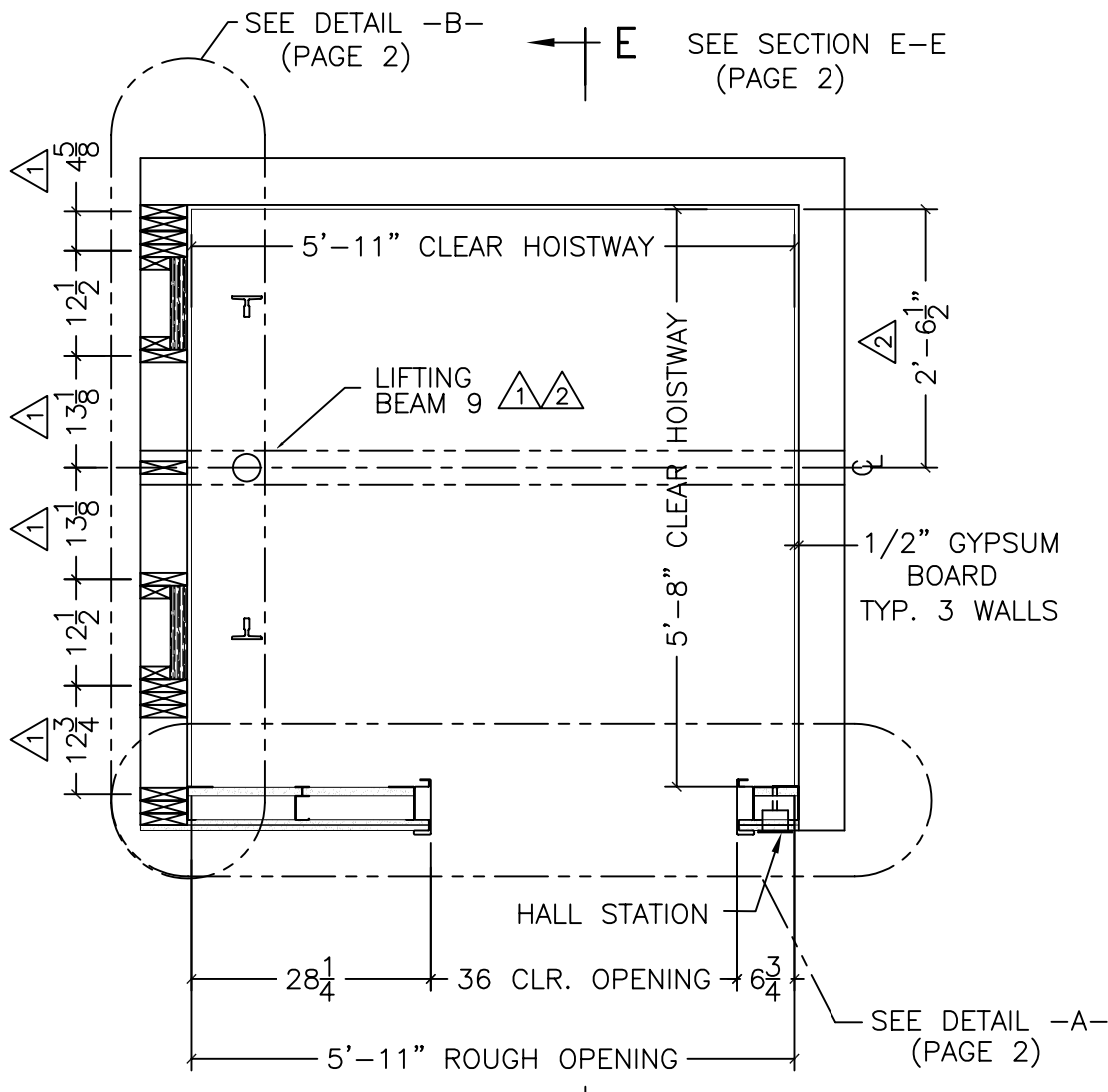


**D-D SECTION**

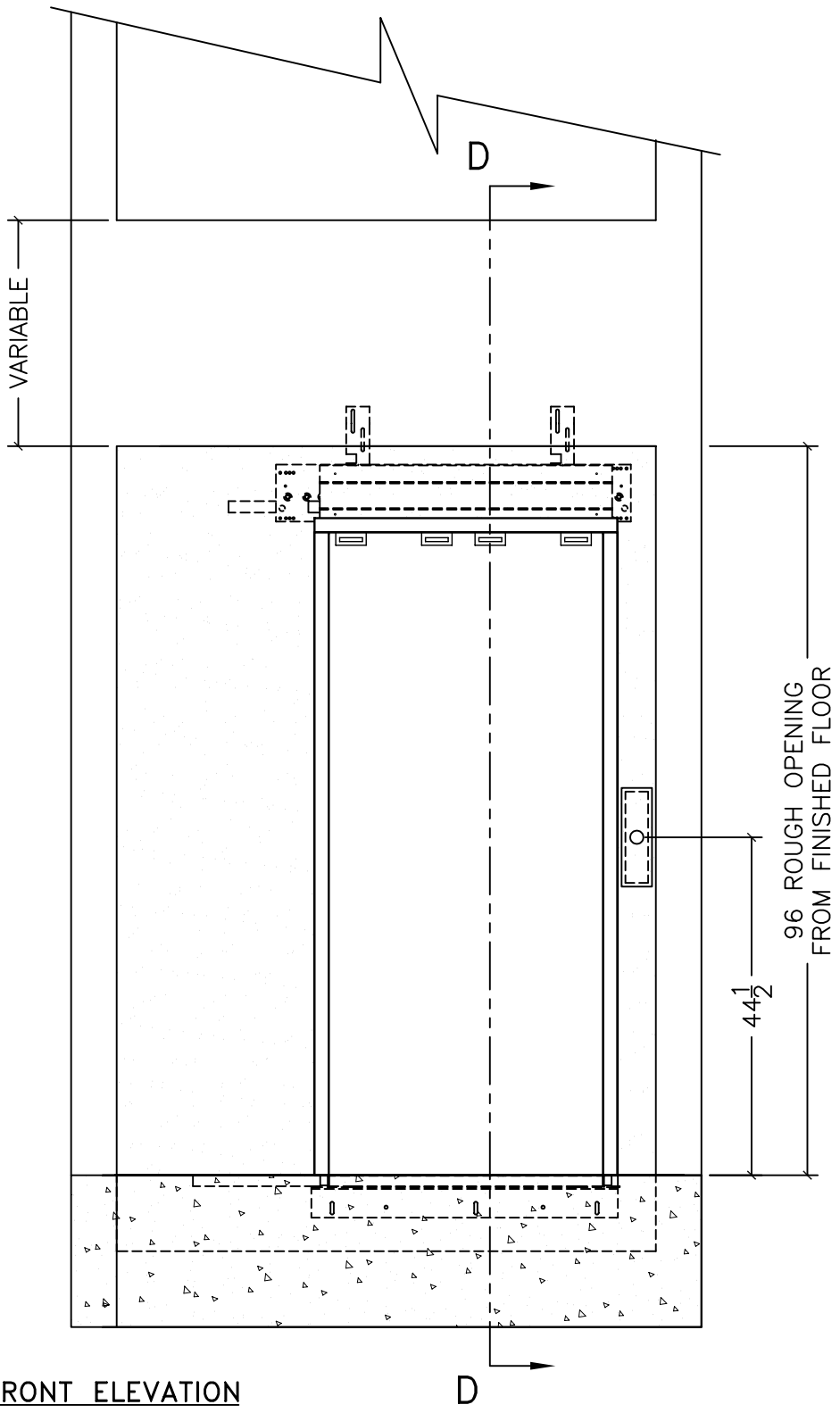
(48x54 R.H. LULA-MASONRY HOISTWAY)

<b>VERTECHS INDUSTRIES INC.</b>	UNLESS OTHERWISE SPECIFIED TOLERANCES ON: .XX= ± .XXX= ± ANGLES ±	ALL DIMENSIONS ARE IN INCHES		DO NOT SCALE THIS DRAWING
		DRAWN BY: L. BARRIOS	DATE: Apl. 22, 05	SCALE: N/A
TITLE: MACHINE ROOM ELECTRICAL INFORMATION	MATERIAL: N/A	CHECKED BY:	DATE:	PART# 126914
	FINISH: N/A	PAGE: 5 OF 5	DRAWING No.: 126914	SIZE: <b>B</b>

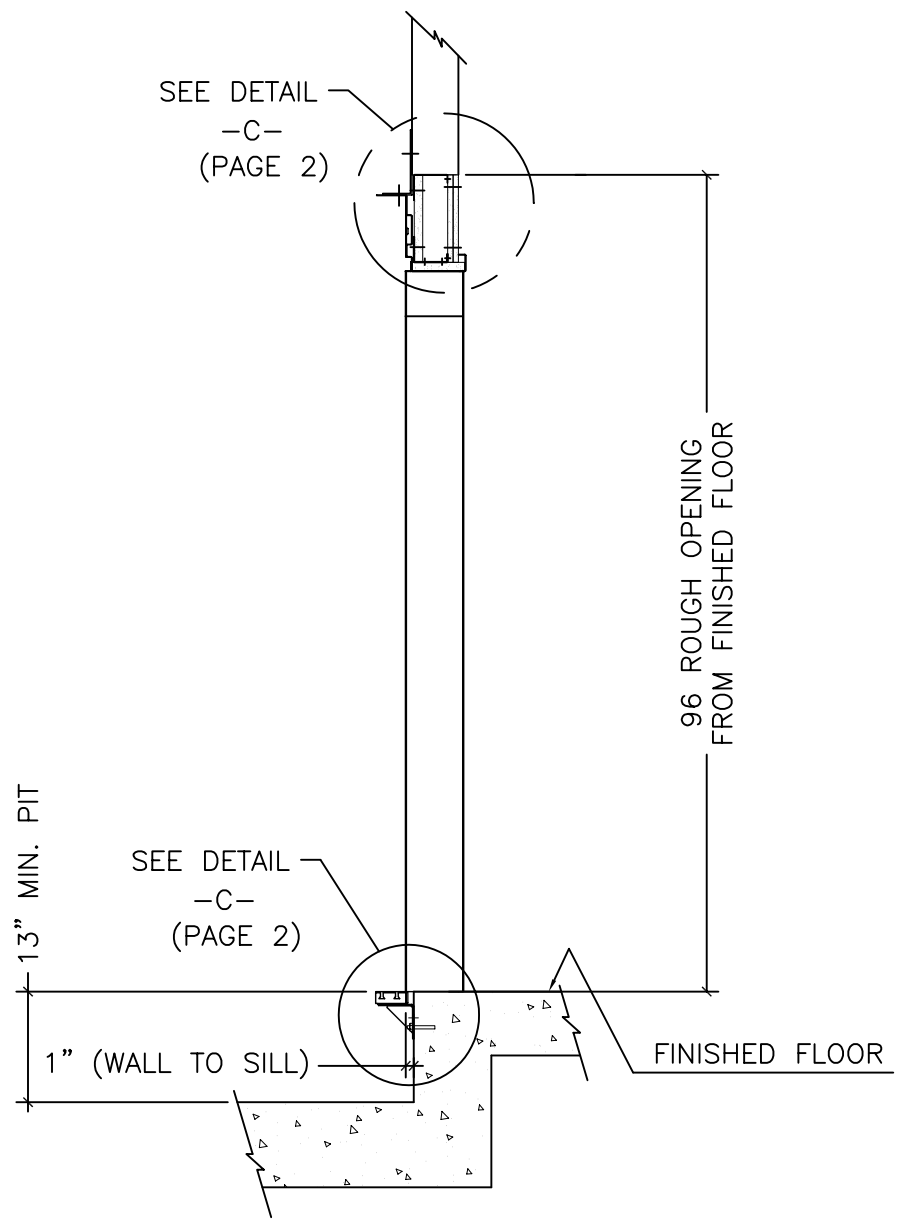
Rev.#:	Description:	Date:	Appr.:
1	NOTE 9&10 ADDED, RAIL WALL DIM. CHANGED	NOV. 16, 05	A.W.
2	LIFTING BEAM RELOCATED	MAR. 14, 06	A.W.



**PLAN OF HOISTWAY**



**FRONT ELEVATION**



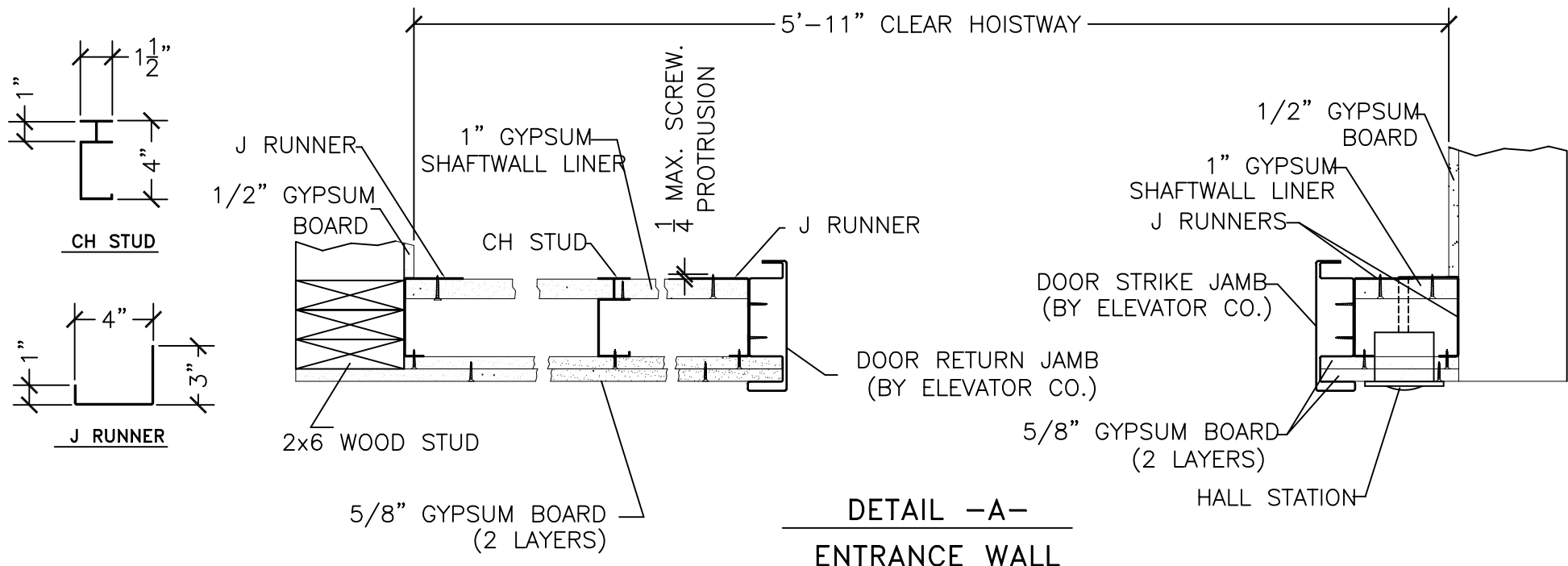
**SECTION D-D**

(48x54 R.H. LULA-DRYWALL HOISTWAY)

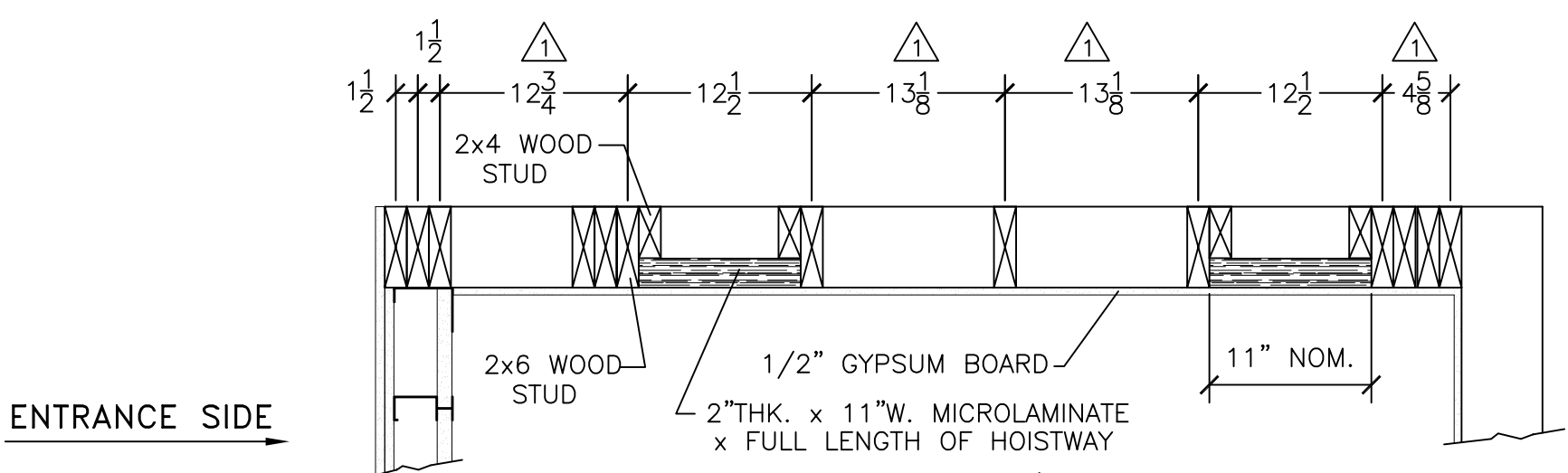
**NOTES:**

1. TOLERANCES:
  - PLUMBNESS OF EACH WALL TO BE 1/2" WITHIN 40 FT.
  - CLEAR HOISTWAY DIMENSIONS TO BE -0, +1/2"
2. ENTRANCE WALLS NOT TO BE BUILT UNTIL ENTRANCE FRAMES ARE SET.
3. ALL WOOD SHALL BE No.2 OR KILN DRIED SPRUCE
4. HORIZONTAL WOOD STUDS ANCHORED TO FLOOR AND BRACED TO CEILING/ROOF STRUCTURE.
5. GYPSUM BOARD AND RELATED MATERIALS TO MEET LOCAL CONSTRUCTION CODES.
6. HOISTWAY MUST BE FREE OF PIPES AND OBSTRUCTIONS.
7. PIT WATER PROOFING OR SUMP PUMP AS REQUIRED.
8. UNLESS OTHERWISE SPECIFIED, ALL MATERIALS AND LABOR RELATED TO HOISTWAY CONSTRUCTION ARE THE RESPONSIBILITY OF THE GENERAL CONTRACTOR AND NOT THE ELEVATOR SUPPLIER.
9. PROVIDE OVERHEAD BEAM FOR LIFTING ELEVATOR COMPONENTS WITH MINIMUM LOAD CAPACITY OF 1000 lb..
10. RAIL WALL MUST BE BUILT STRONG ENOUGH TO WITHSTAND RAIL BRACKET LOADS OF 2000 lb.

<b>VERTECHS INDUSTRIES INC.</b>	UNLESS OTHERWISE SPECIFIED TOLERANCES ON: .XX= ± .XXX= ± ANGLES ±	ALL DIMENSIONS ARE IN INCHES		DO NOT SCALE THIS DRAWING
	TITLE: LULA ELEVATOR SHAFT PLAN AND ELEVATION	MATERIAL: N/A	DRAWN BY: L. BARRIOS	DATE: APL. 25, 05
	FINISH: N/A	CHECKED BY:	DATE:	SCALE: N/A
		PAGE: 1 OF 6	DRAWING No.: 126920	PART# 126920
				SIZE: <b>B</b>

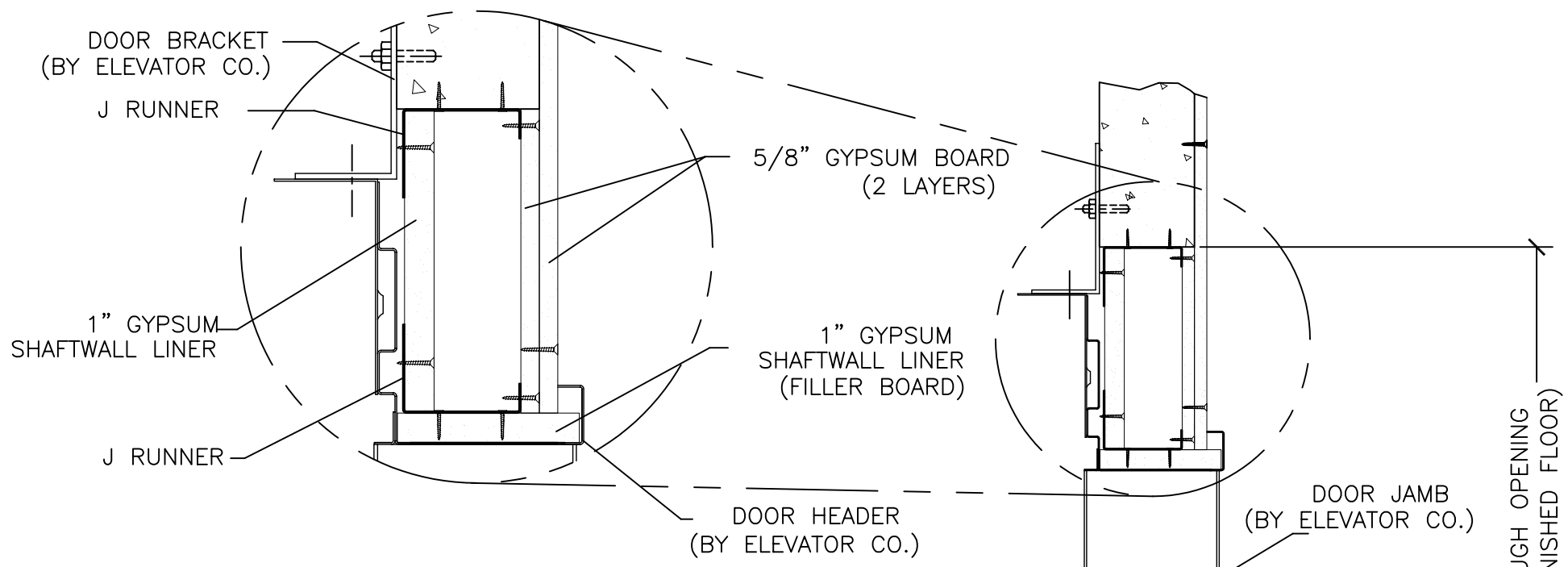


**DETAIL -A-  
ENTRANCE WALL**

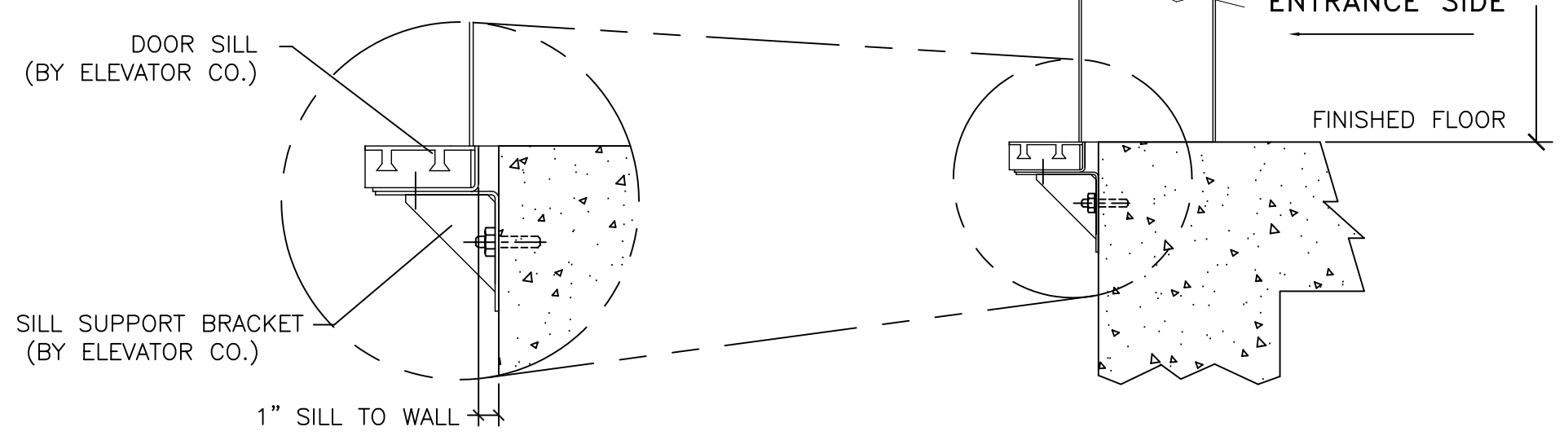


**DETAIL -B-  
RAIL WALL**

(RAIL WALL MUST BE BUILT STRONG ENOUGH TO WITHSTAND RAIL BRACKET LOADS OF 2000 lb.)

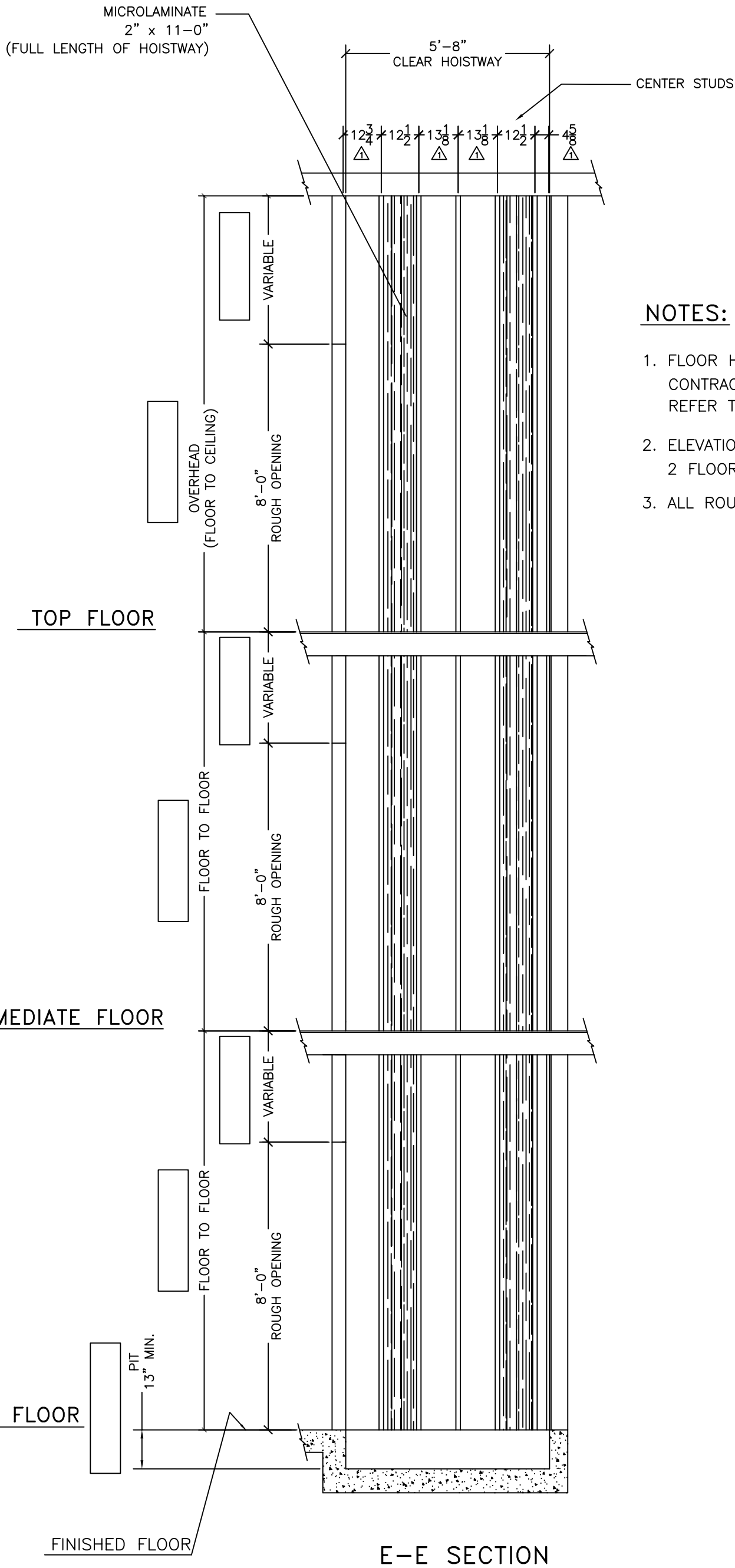


**DETAIL -C-  
HEADER AND FLOOR**



(48x54 RH LULA-DRYWALL HOISTWAY)

<b>VERTECHS INDUSTRIES INC.</b>	UNLESS OTHERWISE SPECIFIED TOLERANCES ON: .XX = ± .XXX = ± ANGLES ±	ALL DIMENSIONS ARE IN INCHES		DO NOT SCALE THIS DRAWING
	TITLE: ELEVATOR SHAFT DETAIL VIEWS	MATERIAL: N/A	DRAWN BY: L. BARRIOS	DATE: MARCH 5, 05
	FINISH: N/A	CHECKED BY:	DATE:	SCALE: N/A
		PAGE: 2 OF 6	DRAWING No.: 126920	PART# 126920
				SIZE: <b>B</b>



**NOTES:**

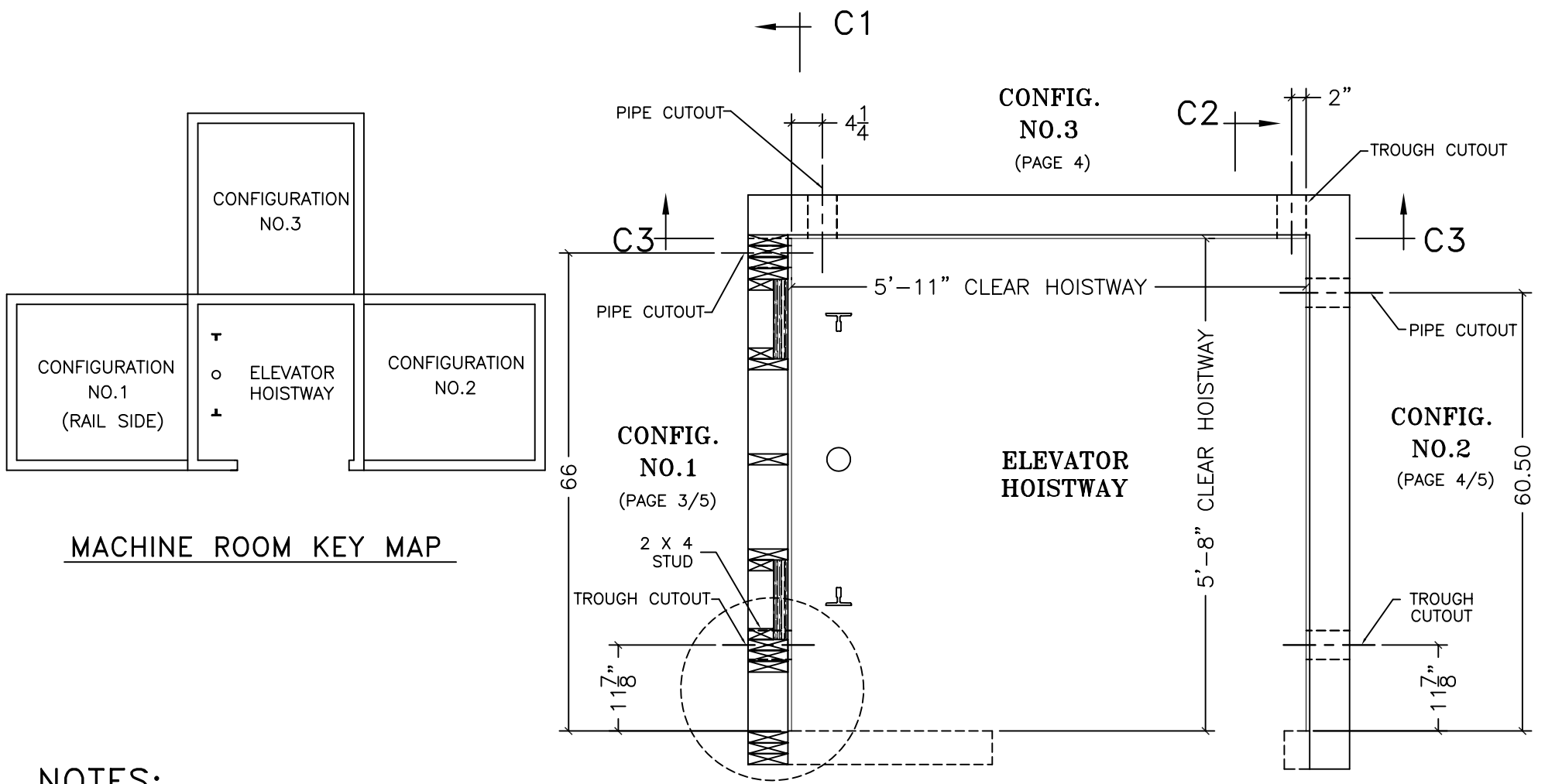
1. FLOOR HEIGHTS VARY  
CONTRACTOR TO FILL IN DIMENSIONS ACCORDINGLY.  
REFER TO SPECIFIC JOB LAYOUT.
2. ELEVATION SHOWS 3 FLOORS. FOR JOBS WITH ONLY  
2 FLOORS, CROSS OUT INTERMEDIATE FLOOR.
3. ALL ROUGH OPENINGS FROM FINISHED FLOOR.

**E-E SECTION**

(FROM PAGE 1)

(48x54 RH LULA-DRYWALL HOISTWAY)

<b>VERTECHS INDUSTRIES INC.</b>	UNLESS OTHERWISE SPECIFIED TOLERANCES ON: .XX= ± .XXX= ± ANGLES ±	ALL DIMENSIONS ARE IN INCHES		DO NOT SCALE THIS DRAWING
	TITLE: ELEVATOR SHAFT ELEVATION AND DETAILS	MATERIAL: N/A	DRAWN BY: L. BARRIOS	DATE: APL. 18, 05
	FINISH: N/A	CHECKED BY:	DATE:	PART# 126920
		PAGE: 3 OF 6	DRAWING No.: 126920	SIZE: <b>B</b>

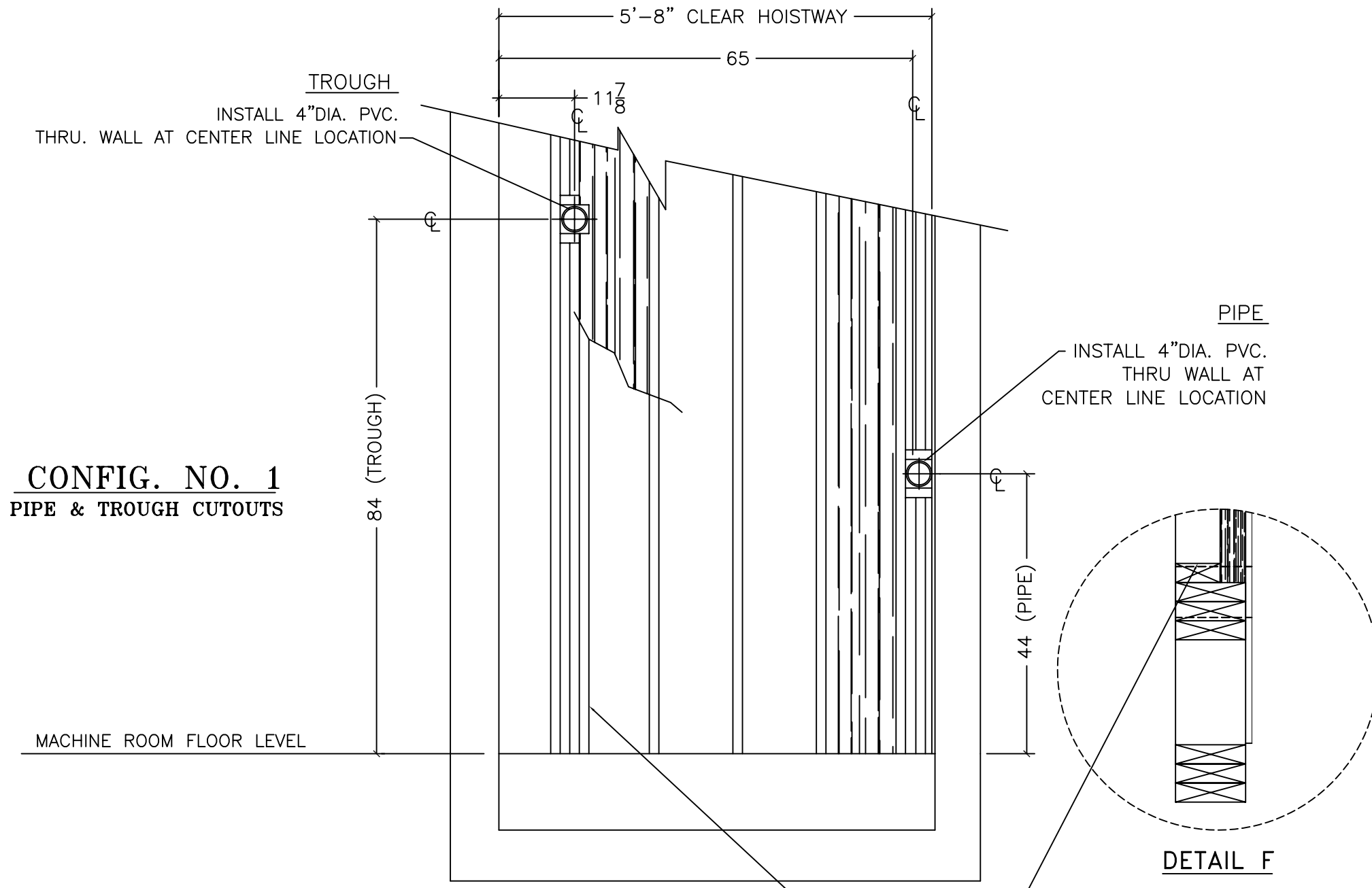


**NOTES:**

- ONLY ONE WALL OF ELEVATOR HOISTWAY REQUIRES PIPING AND TROUGHING CUTOUTS, CONTRACTOR TO SELECT LOCATION BASED ON MACHINE ROOM CONFIGURATION. (SEE KEY MAP)

**DETAIL F**

**ELEVATOR SHAFT PLAN VIEW  
PIPE & TROUGH CUTOUTS**

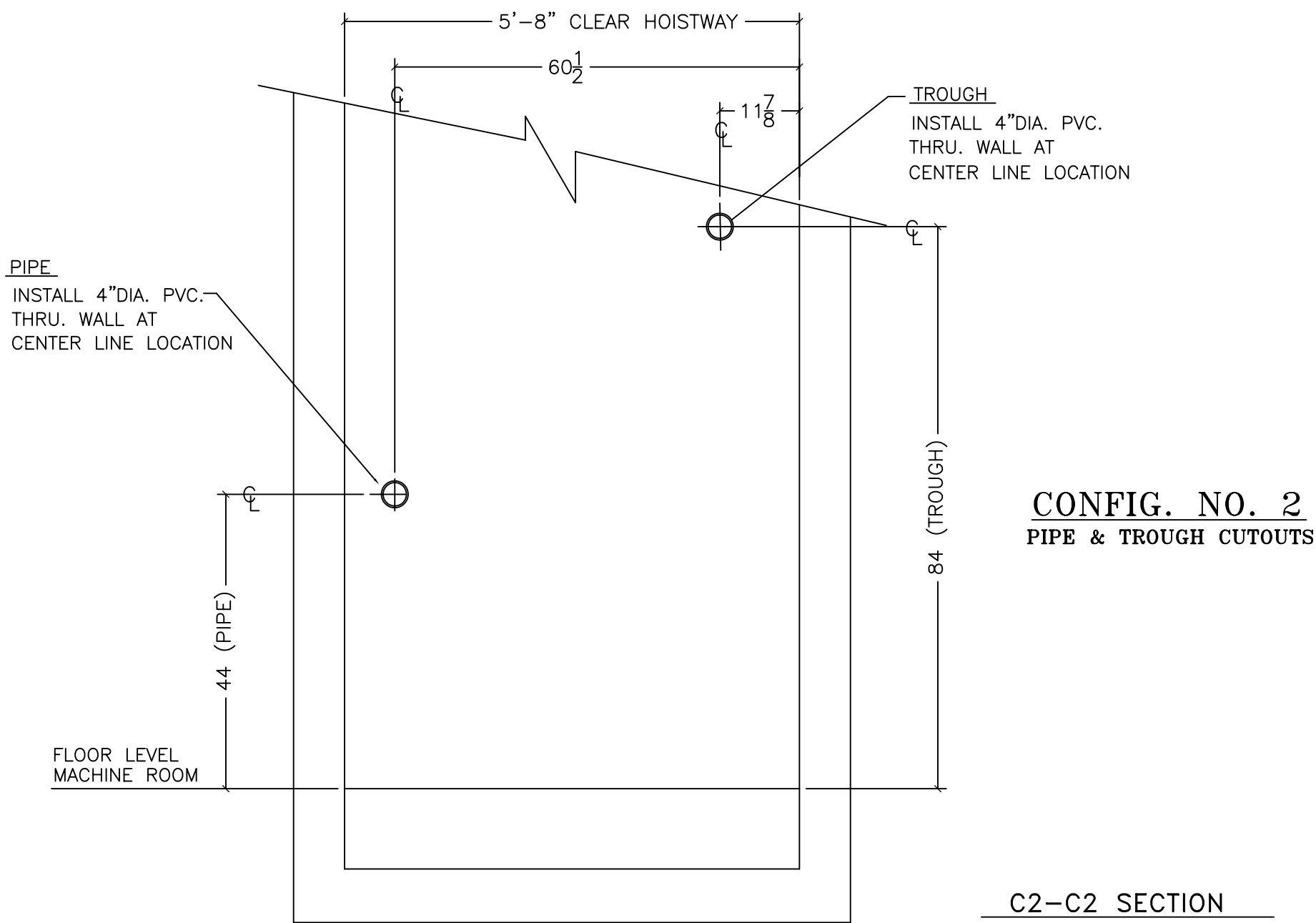


**CONFIG. NO. 1  
PIPE & TROUGH CUTOUTS**

**C1-C1 SECTION  
AT LOWEST LANDING**

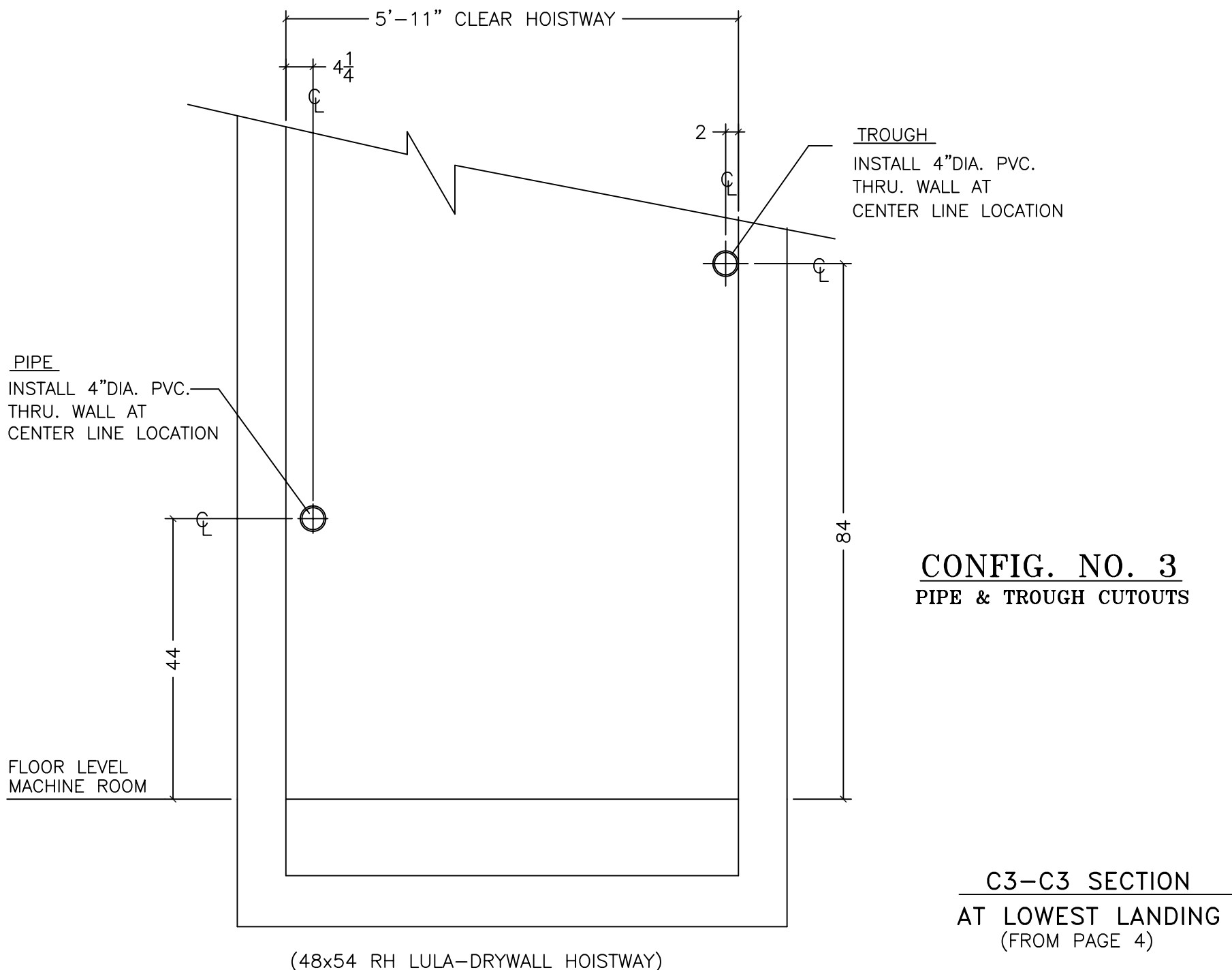
(48x54 RH LULA-DRYWALL HOISTWAY)

<b>VERTECHS INDUSTRIES INC.</b>	UNLESS OTHERWISE SPECIFIED TOLERANCES ON: .XX = ± .XXX = ± ANGLES ±	ALL DIMENSIONS ARE IN INCHES		DO NOT SCALE THIS DRAWING
		DRAWN BY: L. BARRIOS	DATE: Apl. 25, 05	SCALE: N/A
TITLE: ELEVATOR SHAFT PIPE & TROUGH CUTOUTS	MATERIAL: N/A	CHECKED BY:	DATE:	PART# 126920
	FINISH: N/A	PAGE: 4 OF 6	DRAWING No.: 126920	SIZE: <b>B</b>



**CONFIG. NO. 2**  
PIPE & TROUGH CUTOUTS

**C2-C2 SECTION**  
**AT LOWEST LANDING**  
(FROM PAGE 4)

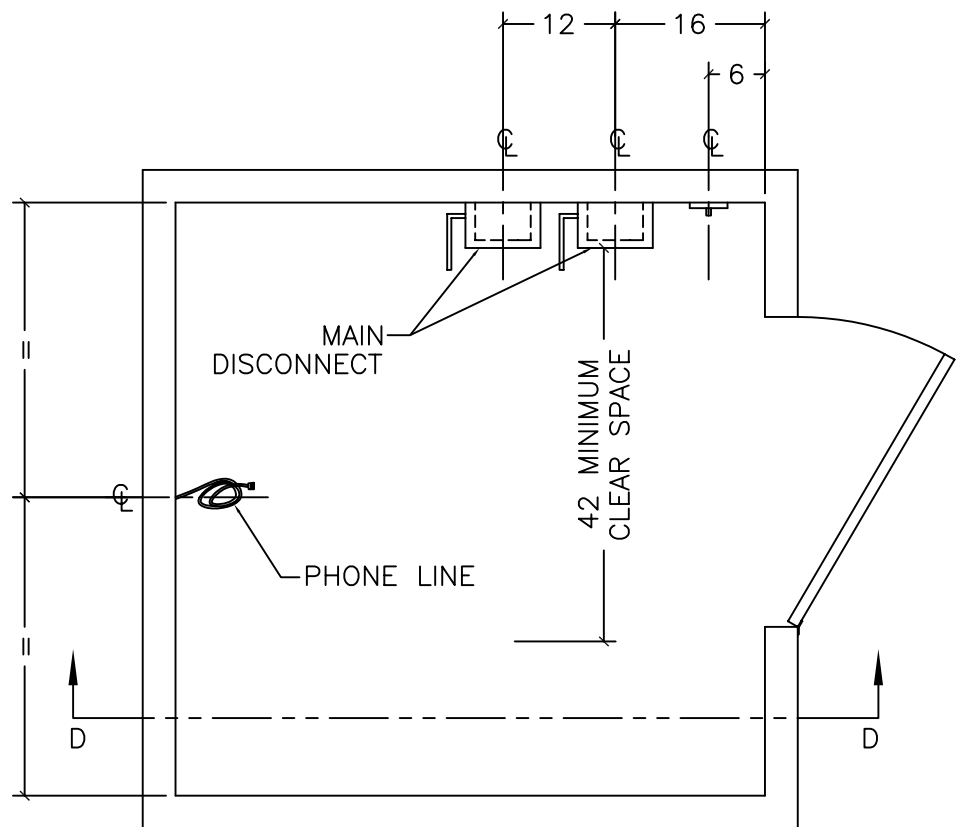
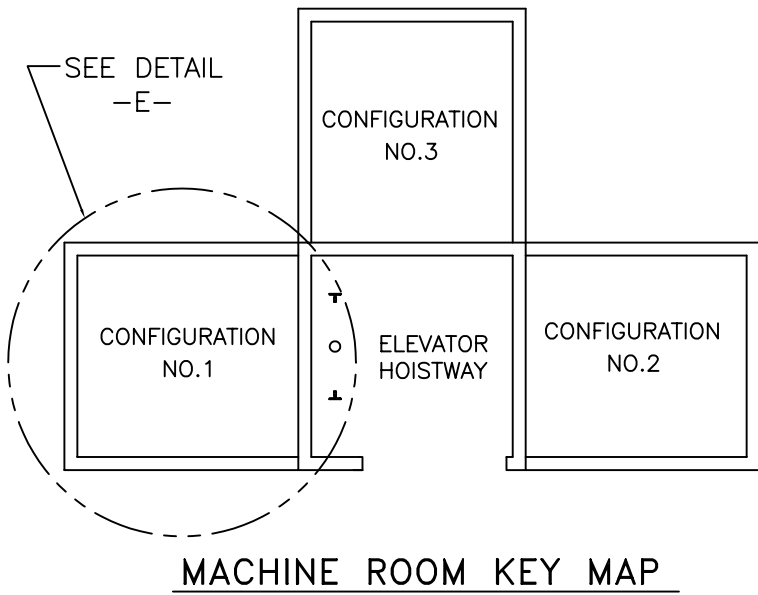


**CONFIG. NO. 3**  
PIPE & TROUGH CUTOUTS

**C3-C3 SECTION**  
**AT LOWEST LANDING**  
(FROM PAGE 4)

(48x54 RH LULA-DRYWALL HOISTWAY)

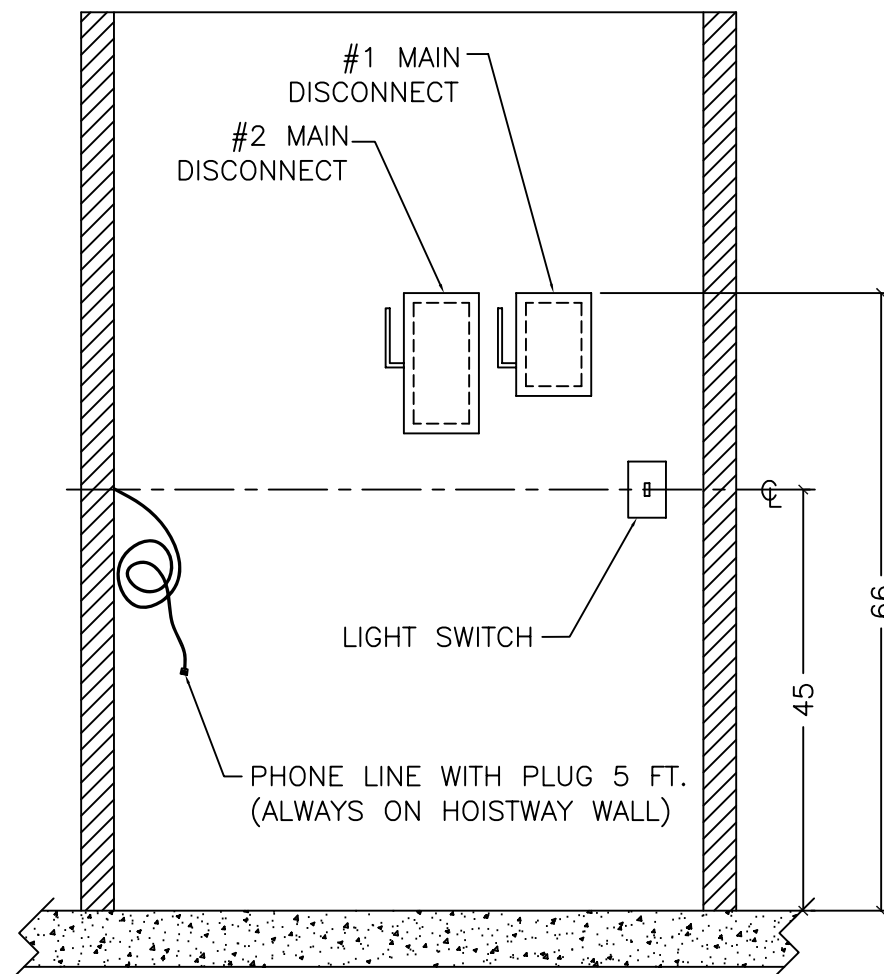
<b>VERTECHS INDUSTRIES INC.</b>	UNLESS OTHERWISE SPECIFIED TOLERANCES ON: .XX= ± .XXX= ± ANGLES ±	ALL DIMENSIONS ARE IN INCHES		DO NOT SCALE THIS DRAWING
		DRAWN BY: L. BARRIOS	DATE: Apl. 22, 05	SCALE: N/A
TITLE: ELEVATOR SHAFT PIPE & TROUGH CUTOUTS	MATERIAL: N/A	CHECKED BY:	DATE:	PART# 126920
	FINISH: N/A	PAGE: 5 OF 6	DRAWING No.: 126920	SIZE: <b>B</b>



**NOTES:**

1. INFORMATION IS TYPICAL FOR ALL M/R CONFIGURATIONS.
2. POSITION OF DOOR OPENING MAY VARY FROM THAT SHOWN.
3. MAIN DISCONNECTS & LIGHT SWITCH TO BE MOUNTED ON WALL ADJACENT TO M/R DOOR OPENING, NOT ON HOISTWAY WALL.
4. #1 MAIN DISCONNECT  
-120 VOLT, 15 AMP. (FUSED)
5. #2 MAIN DISCONNECT  
-FOR 3.5HP. MOTOR, 1 PHASE WITH AUX. CONTACT, 230V. 40 AMP. (FUSED).
6. MACHINE ROOM TEMP. TO BE MAINTAINED BETWEEN 41°F - 90°F

DETAIL -E-  
**MACHINE ROOM PLAN VIEW**  
 TYPICAL FOR ALL CONFIGURATIONS.



**D-D SECTION**

(48x54 R.H. LULA-DRYWALL HOISTWAY)

<b>VERTECHS INDUSTRIES INC.</b>	UNLESS OTHERWISE SPECIFIED TOLERANCES ON: .XX= ± .XXX= ± ANGLES ±	ALL DIMENSIONS ARE IN INCHES		DO NOT SCALE THIS DRAWING
		DRAWN BY: L. BARRIOS	DATE: Apl. 22, 05	SCALE: N/A
TITLE: MACHINE ROOM ELECTRICAL INFORMATION	MATERIAL: N/A	CHECKED BY:	DATE:	PART# 126920
	FINISH: N/A	PAGE: 6 OF 6	DRAWING No.: 126920	SIZE: <b>B</b>